

Form 19476
(840)
Printed in U. S. A.

LIST OF PARTS



MACHINE No. 147-28

THE SINGER MANUFACTURING COMPANY

From the library of: Diamond Needle Corp

INSTRUCTIONS FOR OILING

Before starting the machine, fill all oil reservoirs and apply oil to the connecting rod and all parts which are in movable contact and all oil holes. When the machine is in continuous use, it should be thoroughly oiled at least twice each day.

Use only Singer "OIL FOR HIGH SPEED SEWING MACHINES (Cloth and Leather)" for general use, or "STAINLESS OIL FOR HIGH SPEED SEWING MACHINES" where a stainless oil is desired.

INDEX

	Page
Accessories.....	16
Belt Guard.....	16
Bench Stand No. 79611.....	16
Edge Guides.....	17
Foot Lifter Parts.....	18
Knee Lifter Parts.....	18
Machine Base.....	19
Machine Base Oil Drain Jar.....	19
Machine No. 147-28.....	5
Numerical List of Parts.....	21
Tape Holder.....	20
Thread Unwinder.....	20

From the library of: Diamond Needle Corp.

INSTRUCTIONS FOR ORDERING

In ordering from this list, use ONLY the part NUMBER in the FIRST column.

The number stamped on a Sewing Machine Part is in every case the number of the single part only.

Every combination of parts sent out as such has its specific number, which, although not stamped on the parts, must be used when ordering the combination.

Each number always indicates the SAME PART in whatever list it appears, or for whatever machine.

The letters after some of the numbers indicate the style of finish only, as follows:

- A-Hardened, Polished, Nickel Plated and Buffed
- A.A-Buffed and Chromium Plated
- A.B-Hardened, Polished, Buffed and Chromium Plated
- A.C-Brown Baking Enamel Finish
- A.D-Gray Baking Enamel Finish
- A.E-Hardened, Bright Rumbled and Nickel Plated
- A.F-Hardened, Bright Rumbled, Nickel Plated, Bright Rumbled and Chromium Plated
- B-Polished, Nickel Plated and Buffed
- C-Hardened Only
- C.R-Hardened and Merlized
- D-Polished Only
- E-Soft, Not Polished
- F-Hardened and Polished
- F.J-Hardened, Polished and Nickel Plated
- G-Bright Rumbled and Nickel Plated
- H-Blued
- J-Nickel Plated Only
- K-Hardened and Nickel Plated
- L-Brass Plated
- M-Oxidized
- N-Japanned, Dull
- P-Japanned, Bright
- P.P-Wrinkle Finish
- R-Merlized
- S-Cadmium Plated
- T-Copper Plated
- T.A-Hardened, Polished, Copper and Nickel Plated and Buffed
- T.B-Copper and Nickel Plated and Polished
- T.J-Copper and Nickel Plated Only
- T.K-Hardened, Copper and Nickel Plated
- T.L-Copper and Brass Plated
- T.M-Copper Plated and Oxidized
- U-Zinc Plated
- V-Silver Plated
- W-Polished and Nickel Plated
- X-Black Oxide, for Iron and Steel
- X.C-Hardened and Black Oxide, for Iron or Steel
- Y-Black Nickel Plated Only
- Z-Chromium Plated
- Z.A-Hardened, Polished, Nickel Plated, Buffed and Chromium Plated
- Z.B-Polished, Nickel Plated, Buffed and Chromium Plated
- Z.C-Hardened and Chromium Plated
- Z.D-Polished and Chromium Plated
- Z.G-Bright Rumbled, Nickel Plated, Bright Rumbled and Chromium Plated
- Z.J-Nickel and Chromium Plated
- Z.T-Copper and Chromium Plated

These letters MUST BE USED when they appear in the list; and AFTER the number as in the list.

In this series:

- 1 to 1500, 50001 to 51500 and 140001 to 142000 are Screw Numbers
- 1501 to 1800 and 51501 to 51800 are Nut Numbers
- 1801 to 2000 and 51801 to 52000 are Roller Numbers
- 2001 to 50000 and 52001 to 140000 and 142001 to 190000 are Sewing Machine Parts, 190001 and upward are numbers of Electrical Parts.

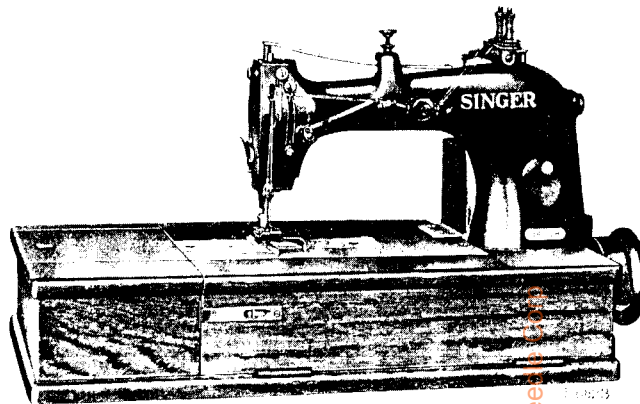
The figures in the second column refer only to the plates, illustrating the parts, and are NOT TO BE USED in ordering.

Parts marked with an asterisk (*) are furnished only when repairs are made at factory..

When ordering parts which differ as to gauge (the distance between seams) the Gauge, as well as the Number must be given on order.

LIST OF PARTS COMPLETE

FOR



MACHINE No. 147-28

For Covering Seams, Necking and Ornamenting Underwear, also for Sweater Work. Two needles, one looper. Gauges 1/8 in., 3/16 in. and 1/4 in. Gathering Feed. Speed up to 3200.

No.	Plate	Name
*131129	-----	Arm, upper and lower (solid) with 948J, 15404 and two 15405.....
42366	20641	Arm Oil Pad (braided cotton) for oiling Arm Rock Shaft Front Bearing.....
56006	20641	Arm Oil Pad (braided cotton) for oiling Arm Rock Shaft Intermediate Bearing.
56003	20641	Arm Oil Tube with 52045, for oiling Needle Bar Connecting Link.....
52045	20641	Arm Oil Tube Packing (felt).....
11119	20641	" " " with 52045, for oiling Thread (upper) Nipper.....
68118	20641	Arm Rock Shaft.....
68119	-----	" " " 68118 with 54004 and 64255
64386	20641	" " " Bushing (back).....
446C	20641	" " " " " Set Screw..
64388	20641	" " " " " (intermediate)....
423C	20641	" " " " " Set Screw.....

From the library of Diamond Needle

No.	Plate	Name
52045	20641	Arm Rock Shaft Bushing Oil Pad (braided cotton).....
54004	20641	Arm Rock Shaft Collar with two 453C.....
453C	20641	" " " " Set Screw.....
131072	20669	" " " Crank, back (ball bearing, solid) with two 50083C.....
50083C	20669	Arm Rock Shaft Crank (back) Set Screw...
64255	20641	" " " " (front) with 453C..
2117	20641	" " " " " Pin.....
453C	20641	" " " " " " Set Screw.....
54105	20641	Arm Rock Shaft Flanged Bushing (front)..
52045	20641	" " " " " Oil Pad (braided cotton).....
453C	20641	Arm Rock Shaft Flanged Bushing (front) Set Screw.....
54387	20669	Arm Rotary Shaft.....
54433	-----	" " " 54387 with 54113, 54401, 54450, 64351, 64355 and 131346.....
948J	20669	Arm Rotary Shaft Bracket Screw.....
54080	20669	" " " Bushing (front).....
40326	20669	" " " " " Oil Pad (braided cotton).....
761E	20669	Arm Rotary Shaft Bushing (front) Set Screw.....
54081	20669	Arm Rotary Shaft Bushing, intermediate (left).....
52045	20669	Arm Rotary Shaft Bushing, intermediate (left) Oil Pad (braided cotton)....
761E	20669	Arm Rotary Shaft Bushing, intermediate (left) Set Screw.....
54007	20669	Arm Rotary Shaft Bushing, intermediate (right).....
54089	-----	Arm Rotary Shaft Bushing, intermediate (right) 54007 with 64508 and 64805..
64508	20669	Arm Rotary Shaft Bushing, intermediate (right) Oil Pad, long (braided cotton).....
64805	20669	Arm Rotary Shaft Bushing, intermediate (right) Oil Pad, short (braided cotton).....
422C	20669	Arm Rotary Shaft Bushing, intermediate (right) Set Screw (long).....
50084C	20669	Arm Rotary Shaft Bushing, intermediate (right) Set Screw (short).....
54450	20669	Arm Rotary Shaft Collar with two 1258C..
1258C	20669	" " " " Set Screw.....
54009	20669	" " " Flanged Bushing.....
54090	-----	" " " " " 54009 with 58039 and 64805.....

No.	Plate	Name
58039	20669	Arm Rotary Shaft Flanged Bushing Oil Pad, long (braided cotton).....
64805	20669	Arm Rotary Shaft Flanged Bushing Oil Pad, short (braided cotton).....
159F	20669	Arm Rotary Shaft Flanged Bushing Screw..
49013	20669	" " " Front Bearing Oil Pad (braided cotton).....
144D	20669	Arm Rotary Shaft Screw.....
54256	20672	" Side Cover (back).....
46111	20672	" " " " Position Pin.....
51224W	20672	" " " " Thumb Screw.....
54010	20672	" " " (front).....
51224W	20672	" " " " Thumb Screw.....
64259	20669	Balance Wheel, 2 in. diam. pulley, with two 51283C.....
51283C	20669	Balance Wheel Set Screw.....
54388	20673	Cloth Plate.....
54309	20673	" " Oil Tube with 49092.....
49092	20673	" " " " Packing (felt).....
1011F	20673	" " Screw (left).....
50473F	20673	" " " (right).....
54389	20673	" " Slide (left).....
54390	-----	Cloth Plate Slide (left) complete, Nos. 38419, 54389 and two 725J.....
38419	20673	Cloth Plate Slide (left) Spring.....
725J	20673	" " " " " Screw...
54391	20673	" " " (right) for 54392....
54392	-----	Cloth Plate Slide (right) complete, for Throat Plate 131092, for 1/8 in. to 1/4 in. gauges, for 54393, Nos. 38419, 54391 and two 725J.....
68158	20673	Cloth Plate Slide (right) for 68159....
68159	-----	Cloth Plate Slide (right) complete, for Throat Plates 54413 and 68070, for 1/8 in. to 1/4 in. gauges, Nos. 38419, 68158 and two 725J.....
38419	20673	Cloth Plate Slide (right) Spring.....
725J	20673	" " " " " Screw..
54393	-----	Cloth Plate complete, for Throat Plate 131092, for 1/8 in. to 1/4 in. gauges, Nos. 54309, 54388, 54390 and 54392.....
131845	-----	Cloth Plate complete, for Throat Plates 54413 and 68070, for 1/8 in. to 1/4 in. gauges, Nos. 54309, 54388, 54390 and 68159.....
54104	20673	Cloth Plate Thread Guard.....
1235F	20673	" " " " " Screw.....
54259	20669	Crank Connecting Rod with 6575, 54218, 68350 and two each 896E and 1057E...

No.	Plate	Name
131346	-----	Crank Connecting Rod 54259 with 131072..
896E	20669	" " " Cap (lower) Screw..
1057E	20669	" " " " (upper) Screw..
68350	20669	" " " Oil Cup.....
54218	20669	" " " Pad (braided cotton).....
6575	20669	Crank Connecting Rod Oil Pad Stop Pin...
68079	20672	Face Plate.....
191D	20672	" " Screw.....
51224W	20672	" " Thumb Screw.....
54019	20671	Feed (back) Bar with 50429C and two 453C
54020	20669	" " " Connection.....
54394	20671	" " " Hinge Pin.....
453C	20671	" " " " " Set Screw....
54395	20674	" " Dog, 13 teeth (14 teeth to the inch) for 1/8 in. to 1/4 in. gauges, for 131092.....
68364	20676	Feed (back) Dog, 12 teeth (14 teeth to the inch) for 1/8 in. to 1/4 in. gauges, for 54413.....
68062	20675	Feed (back) Dog, 7 teeth (8 teeth to the inch) for 1/8 in. to 1/4 in. gauges, for 68070.....
157J	20674	Feed (back) Dog Screw.....
50429C	20671	" " " Stop Screw.....
54260	20669	" " Lifting Eccentric with two 1259C.....
1259C	20669	Feed (back) Lifting Eccentric Set Screw.
54396	20671	" (front) Bar.....
54397	20671	" " " Connecting Link.....
50402C	20671	" " " " " Hinge Screw (lower).....
50402C	20671	Feed (front) Bar Connecting Link Hinge Screw (upper).....
54398	20671	Feed (front) Bar Connection with two 454C.....
131465	-----	Feed (front) Bar Connection 54398 with 54402.....
54399	20671	Feed (front) Bar Hinge Pin.....
61067	20671	" " " " " Collar with 1034F.....
1034F	20671	Feed (front) Bar Hinge Pin Collar Set Screw.....
454C	20671	Feed (front) Bar Hinge Pin Set Screw....
54400	20674	" " Dog, 9 teeth (14 teeth to the inch) for 1/8 in. to 1/4 in. gauges, for 54413 and 131092.....
68063	20675	Feed (front) Dog, 5 teeth (8 teeth to the inch) for 1/8 in. to 1/4 in. gauges, for 68070.....

No.	Plate	Name
203D	20674	Feed (front) Dog Screw.....
54401	20669	" " Lifting Eccentric with two 448C.....
448C	20669	Feed (front) Lifting Eccentric Set Screw
51044C	20671	" " Regulating Screw Stud.....
51552C	20671	" " " " " Nut..
39026	20671	" " " " " " " Washer.....
54402	20671	Feed (front) Regulator with 129D.....
129D	20671	" " " Clamping Screw...
54403	20671	" " " Pitman.....
212D	20671	" " " " Cap Screw..
54404	20671	" " Rock Shaft.....
54369	20671	" " " " Collar with two 465C.....
465C	20671	Feed (front) Rock Shaft Collar Set Screw
54405	20671	" " " " Crank (back) forked, with 50083C, 50200C and 50571D.....
50571D	20671	Feed (front) Rock Shaft Crank (back) Ad- justing Screw.....
50083C	20671	Feed (front) Rock Shaft Crank (back) Set Screw (large).....
50200C	20671	Feed (front) Rock Shaft Crank (back) Set Screw (small).....
54315	20671	Feed (front) Rock Shaft Crank (back) Slide Block (two pieces).....
54406	20671	Feed (front) Rock Shaft Crank (front) with two 896E.....
896E	20671	Feed (front) Rock Shaft Crank (front) Clamping Screw.....
54111	20669	Feed Connecting Rod with 1057E and two 896E.....
54113	-----	Feed Connecting Rod 54111 with 54025....
896E	20669	" " " Cap Screw.....
1057E	20669	" " " Clamping Screw.....
54023	20671	" " " Hinge Pin.....
54407	20671	" " " " " Collar with 457C.....
457C	20671	Feed Connecting Rod Hinge Pin Collar Set Screw.....
51061C	20669	Feed Eccentric Body Set Screw.....
7071	20669	" " Clamping Washer.....
217J	20669	" " " " Screw....
54025	20669	Feed Eccentric (adjustable) complete, Nos. 1103C and two each 217J, 7071 and 51061C.....
1103C	20669	Feed Regulating Screw.....
54026	20671	" Rocking Frame with two 453C.....
57234	20671	" " " Hinge Pin.....

No.	Plate	Name
57235	20671	Feed Rocking Frame Hinge Pin Bushing....
453C	20671	" " " " " " " " Set Screw.....
453C	20671	Feed Rocking Frame Hinge Pin Set Screw..
54377	20674	Looper with 590J and 38393.....
54378	20674	" 54377 with 229D and 46204.....
54262	20670	" Avoiding Eccentric with two 1258C
54263	20670	" " " " Connection....
1258C	20670	" " " " Set Screw.....
54264	20670	" Bell Crank with 1036C.....
54349	-----	" " " 54264 with 42078.....
42074	20670	" " " Ball Stud.....
1036C	20670	" " " " " " Set Screw...
42075	20670	" " " Connection with four 896E.....
896E	20670	Looper Bell Crank Connection Cap (lower) Screw.....
896E	20670	Looper Bell Crank Connection Cap (upper) Screw.....
42077	20670	Looper Bell Crank Connection Guide.....
171E	20670	" " " " " " " " Screw
42078	20670	" " " " Hinge Pin.....
42079	20670	" " " " " " " " Bushing.....
453C	20670	" " " " " " " " Set Screw.....
453C	20670	Looper Bell Crank Hinge Pin Set Screw...
54265	20670	" Carrier with two 171D.....
171D	20670	" " " Adjusting Screw.....
54266	20670	" " " Connection with two 175E.
54343	-----	" " " " 54266 with 54263
54344	-----	" " " " 54343 with 54265 and 54268.....
175E	20670	Looper Carrier Connection Cap Screw.....
54268	20670	" " " " Shaft.....
54269	20670	" " " " " " Bushing.
446C	20670	" " " " " " " " Set Screw.....
49013	20670	Looper Carrier Connection Shaft Oil Pad (braided cotton).....
54270	20670	Looper Carrier Pitman with four 187E....
54334	-----	" " " " 54270 with 679C and 50016C.....
679C	20670	Looper Carrier Pitman Ball Screw Stud (left).....
1520J	20670	Looper Carrier Pitman Ball Screw Stud (left) Nut.....
50016C	20670	Looper Carrier Pitman Ball Screw Stud (right).....
1519J	20670	Looper Carrier Pitman Ball Screw Stud (right) Nut.....

No.	Plate	Name
187E	20670	Looper Carrier Pitman Cap (left) Screw..
187E	20670	" " " " (right) Screw.
54273	20670	" Driving Crank with 1036C and 1259C
54348	-----	" " " 54273 with 42074 and 42075.....
1259C	20670	Looper Driving Crank Position Screw....
1036C	20670	" " " " Set Screw.....
54035	20670	" Holder with 1120C.....
704J	20670	" " " Screw.....
46204	20674	" Needle Guard with 46105.....
46105	20674	" " " " Pin.....
229D	20674	" " " " " " Screw.....
1120C	20670	" Set Screw.....
38393	20674	" Thread Guard.....
590J	20674	" " " " Screw.....
64319	20646	Needle Bar (hollow).....
54274	20646	Needle Bar complete, Nos. 46152 and 64319
38456	20646	" " " Bushing (lower).....
1133E	20646	" " " " " " Set Screw....
64320	20646	" " " " (upper).....
1133E	20646	" " " " " " Set Screw....
54326	20646	" " Connecting Link.....
54329	-----	" " " " " 54326 with 54327 and 54328.....
54327	20646	Needle Bar Connecting Link Hinge Stud...
1520E	20646	" " " " " " " " Nut
54328	20646	" " " " " Stud with 211F and two 187E.....
187E	20646	Needle Bar Connecting Stud Clamping Screw.....
46152	20646	Needle Clamp with two 1498F.....
131269	20674	" Guard, for 1/8 in. to 1/4 in. gauges.....
54038	20674	Needle Guard Holder.....
176J	20674	" " " " Screw.....
217F	20674	" " " " Screw.....
1498F	20646	" Set Screw.....
54275	20672	Oil Cup with 49092.....
49092	20672	" " Oil Pad (felt).....
207D	20672	" " " Screw.....
54108	20672	" Tube.....
54109	20672	" " Bracket.....
49092	20672	" " " Packing (felt).....
54110	20672	Oil Tube complete, for oiling Crank Connecting Rod (upper bearing) Nos. 49092, 54108 and 54109.....
64330	20646	Presser Bar with 25303.....
25303	20646	" " " Ball, size 1/4 in.....
64331	20646	" " " Bushing (lower).....
1133E	20646	" " " " " " Set Screw....

From the library of Dipolite, N. J.

No.	Plate	Name
38456	20646	Presser Bar Bushing (upper).....
1133E	20646	" " " " Set Screw...
54039	20646	" " Guide Bracket with 453C,640J and 1963.....
640J	20646	Presser Bar Guide Bracket Adjusting Screw.....
11173	20646	Presser Bar Guide Bracket Guide.....
447C	20646	" " " " " Set Screw
1963	20646	" " " " Roller and Stud
453C	20646	" " " " Set Screw.....
57257	20646	" " Lifter.....
57258	20646	" " " Hinge Stud.....
447C	20646	" " " " " Set Screw.
1872	20646	" " " Roller and Stud.....
1250C	20646	" " " Stop Screw.....
61047	20646	" " Lifting Bracket with 460C and 1872.....
68208	20672	Presser Bar Lifting Lever.....
61075	20672	" " " " Connecting Pin
460C	20646	" " " " " " "
		Set Screw.....
68184	20672	Presser Bar Lifting Lever Extension....
161J	20672	" " " " " Screw
802D	20672	" " " " Hinge Screw...
38467	20672	" " Spring (flat).....
38468	20672	" " " Stud.....
54408	20676	" Foot Compensating Plate.....
1449F	20676	" " " " Hinge Screw.....
24701	20676	Presser Foot Compensating Plate Spring..
26276	20676	" " Hinge Pin.....
54410	20676	" " Plate.....
54411	20676	" " Shank with 460C and 50429C.
50429C	20676	" " " Adjusting Screw.....
460C	20676	" " " " " Set Screw.....
54412	20676	Presser Foot (compensating, hinged) com- plete, Nos. 26276,54408,54410,54411 and two each 1449F and 24701.....
68064	20675	Presser Foot Compensating Plate (left)..
1449F	20675	" " " " "
		Hinge Screw.....
24701	20675	Presser Foot Compensating Plate (left) Spring.....
68065	20675	Presser Foot Compensating Plate (right)..
1449F	20675	" " " " "
		Hinge Screw.....
24701	20675	Presser Foot Compensating Plate (right) Spring.....
26276	20675	Presser Foot Hinge Pin.....

No.	Plate	Name
68066	20675	Presser Foot Plate.....
54411	20675	" " Shank with 460C and 50429C.
50429C	20675	" " " Adjusting Screw.....
460C	20675	" " " " " Set Screw.....
68067	20675	Presser Foot (compensating, hinged) com- plete, Nos. 26276, 54411, 68064 to 68066, four each 1449F and 24701....
190J	20674	Presser Foot Screw.....
574W	20672	Pressure Regulating Thumb Screw.....
1539W	20672	" " " " Lock Nut
64336	20648	Slack Thread Controller.....
46035	20648	" " " Clamp.....
190J	20648	" " " " Screw....
54276	20648	" " Regulator.....
54042	20648	" " " Holder with 175E and two 50150C.....
175E	20648	Slack Thread Regulator Holder Clamping Screw.....
54043	20648	Slack Thread Regulator Holder Shaft.....
24292	20648	" " " " Collar with 1019C.....
1019C	20648	Slack Thread Regulator Holder Shaft Collar Set Screw.....
54044	20648	Slack Thread Regulator Holder Shaft Crank (forked) with 1253C.....
1253C	20648	Slack Thread Regulator Holder Shaft Crank Set Screw.....
50150C	20648	Slack Thread Regulator Set Screw.....
2102	20647	Tension (under thread) Disc.....
54277	20647	" " " Pull-off.....
54278	20647	" " " " Eyelet (adjustable).....
50473F	20647	Tension (under thread) Pull-off Eyelet Screw.....
203D	20647	Tension (under thread) Pull-off Screw...
51570C	20647	" " " Regulating Thumb Nut.....
50326C	20647	Tension (under thread) Screw Stud.....
59539	-----	" " " " " 50326C with 51570C.....
131740	20647	Tension (under thread) Spring.....
59537	20647	" " " " Bushing (large).....
59538	20647	Tension (under thread) Spring Bushing (small).....
54279	20647	Tension (under thread) Thread Guide (double).....
54070	20648	Tension (upper thread) Bracket.....
376J	20648	" " " " Screw....

No.	Plate	Name
2102	20648	Tension (upper thread) Disc.....
51570C	20648	" " " Regulating Thumb Nut.....
32572	20648	Tension (upper thread) Releasing Disc...
54988	20648	" " " " Pin....
54071	20648	" " " " Shaft..
54047	20648	" " " " "
		Crank with 624C.....
54048	20648	Tension (upper thread) Releasing Shaft Crank Link.....
624C	20648	Tension (upper thread) Releasing Shaft Crank Set Screw.....
68261	20648	Tension (upper thread) Releasing Shaft Spring.....
316F	20648	Tension (upper thread) Releasing Shaft Stop Screw.....
1547J	20648	Tension (upper thread) Releasing Shaft Stop Screw Nut.....
50326C	20648	Tension (upper thread) Screw Stud.....
59539	-----	" " " " " 50326C with 51570C.....
131741	20648	Tension (upper thread) Spring.....
59537	20648	" " " " Bushing (large).....
59538	20648	Tension (upper thread) Spring Bushing (small).....
131696	20648	Tension (upper thread) Thread Guide (double).....
53225	20647	Thread (under) Eyelet (back).....
190J	20647	" " " " Screw.....
38284	20647	" " " (front).....
64351	20669	" " Nipper Cam with 465C....
465C	20669	" " " Set Screw.....
38210	20647	" " " Spring (lower)....
38211	20647	" " " " (upper)....
46247	20647	" " " " Stop 176J 20647 " " " " Screw.....
54280	20669	" " Take-up with 465C.....
465C	20669	" " " Set Screw.....
38478	20647	" " " Staple with 590J and 38481.....
54049	20647	Thread (under) Take-up Staple Bracket with 460C.....
965D	20647	Thread (under) Take-up Staple Bracket Screw.....
46041	20647	Thread (under) Take-up Staple Spring....
190J	20647	" " " " " Screw
38481	20647	" " " " Thread Guard.....
590J	20647	Thread (under) Take-up Staple Thread Guard Screw.....

No.	Plate	Name
54281	20647	Thread (under) Take-up Stripper.....
207J	20647	" " " " Screw...
64355	20669	" " " Thread Guard....
64356	20647	" " " " " Steady Pin.....
460C	20647	Thread (under) Take-up Thread Guard Steady Pin Set Screw.....
54331	20648	Thread (upper) Controller.....
207J	20648	" " " " Screw.....
54232	20648	" " " Wire.....
54242	20648	" " " " " Clamp....
190J	20648	" " " " " Screw
68129	20648	" " Nipper Body.....
1149C	20648	" " " " Set Screw....
68130	20648	" " " Disc (inside)....
68131	20648	" " " " Washer (fibre).....
68132	20648	Thread (upper) Nipper Disc (outside)....
1698R	20648	" " " " Nut
59456	20648	" " " " Washer.....
68133	20648	Thread (upper) Nipper Roller.....
68134	20648	" " " " Hinge Pin..
68135	20648	" " " Stud.....
68136	-----	" " " " 68135 with 68133 and 68134.....
13218	20648	Thread (upper) Nipper Stud Spring.....
68137	-----	Thread (upper) Nipper complete, Nos. 1698R, 13218, 59456, 68129 to 68132 and 68136.....
68138	20648	Thread (upper) Nipper Thread Guide.....
207J	20648	" " " " " Screw
131334	20648	" " Take-up.....
54095	20648	" " " Plate.....
68164	20648	" " " " Spring....
1449J	20648	" " " " " Screw
131335	-----	Thread (upper) Take-up complete, Nos. 1449J, 54095, 68164 and 131334.....
211F	20646	Thread (upper) Take-up Set Screw.....
131092	20674	Throat Plate, for 1/8 in. to 1/4 in. gauges, for 54392, 54393, 54395 and 54400.....
54413	20676	Throat Plate, for 1/8 in. to 1/4 in. gauges, for 54400, 68159, 68364 and 131845.....
68069	20675	Throat Plate.....
68070	20675	" " 68069 with 68068, for 1/8 in. to 1/4 in. gauges, for 68062, 68063, 68159 and 131845.....
68068	20675	Throat Plate Seam Guide.....
742F	20674	" " Screw.....
*15404	-----	Trade Mark.....
15405	-----	" " Rivet.....

From the Library of Dimond Needle Corp

ACCESSORIES

No.	Plate	Name
120344	20677	Oiler (copper plated) with 120345.....
120345	20677	" Spout, 4 1/2 in. long.....
120440	20677	Screw Driver (large).....
121108	20677	" " (small).....
36487	20677	Threading Wire.....
120341	20677	Tweezers (curved).....
8908	20677	Wrench for 1520.....
4822	20677	" " 1547.....
68547	20677	" " 51044.....

BELT GUARD

No.	Plate	Name
68222	20633	Belt Guard with two wood screws 1 in. No. 12 F.H.....

BENCH STAND No. 79611

No.	Plate	Name
79611	-----	Bench Stand with 27998, two each 41538, 126849, three wood screws 1 1/4 in. No. 12, four each 60656, wood screws 1 1/4 in. No. 10, eight wood screws 5/8 in. No. 6 and sixteen wood screws 5/8 in. No. 7.....
126849	20677	Flap Hinge with four wood screws 3/4 in. No. 7.....
27998	20677	Flap Hook and Eye (brass) with wood screw 1/2 in. No. 5.....
126247	20677	Flush Bolt.....
126248	20677	" " Plate.....
41538	-----	Flush Bolt with Plate complete, Nos. 126247, 126248 and four brass wood screws 5/8 in. No. 4 F.H.....
60656	20677	Hinge.....

EDGE GUIDES

FOR STOLLING SWEATERS

No.	Plate	Name
120579	20674	Edge Guide, for body of garment.....
120580	20674	Strip Guide (front).....
120581	20674	" " " Adjusting Plate....
1443D	20674	" " " " Screw.....
1443D	20674	" " Screw.....
120582	20674	Edge Guide and Strip Guide (adjustable) complete, for sewing facing strip on sweaters, Nos. 120579 to 120581 and four 1443D.....
1499F	20674	Edge Guide Screw.....
120583	20674	Strip Guide (back) for 120582.....
1423F	20674	" " " Screw.....
120584	20674	Presser Foot Compensating Plate.....
1449F	20674	" " " " Hinge Screw.....
24701	20674	Presser Foot Compensating Plate Spring..
26276	20674	" " Hinge Pin.....
120585	20674	" " Plate.....
54411	20674	" " Shank with 460C and 50429C.
50429C	20674	" " " Adjusting Screw.....
460C	20674	" " " " " Set Screw.....
120586	20674	Presser Foot (compensating, hinged) com- plete for 120582, Nos. 26276, 54411, 120584, 120585 and two each 1449F and 24701.....

FOR HEMMING SWEATERS

No.	Plate	Name
120501	20676	Edge Guide (left half).....
120502	20676	" " (right half).....
1443B	20676	" " Screw.....

FOOT LIFTER PARTS

No.	Plate	Name
6439	-----	Chain, 36 in. to 45 in. with 56864 and 56865.....
Note: When ordering No. 6439, state length required.		
4879	20633	Chain Connecting Link.....
56864	20677	" Hook (large).....
56865	20677	" " (small).....
126249	20633	Treadle.....
4882	20633	" Shaft.....
126250	20633	" Spring.....
150451	20633	" Stand.....
150452	20633	Treadle complete, Nos. 4879,4882,126249, 126250, 150451 and two wood screws 1 in. No. 16 F.H.....

KNEE LIFTER PARTS

No.	Plate	Name
37563	-----	Chain, length 15 in., with 56864 and 56865.....
56864	20677	Chain Hook (large).....
56865	20677	" " (small).....
2763	20633	Rock Shaft.....
12242	20633	" " Hanger with two wood screws 1 in. No. 10.....
6335	20633	Rock Shaft Knee Arm.....
6336	-----	Rock Shaft Knee Arm complete, Nos. 2766, 2767 and 6335.....
2766	20633	Rock Shaft Knee Arm Hub with 356C.....
356C	20633	" " " " " Set Screw.....
2767	20633	Rock Shaft Knee Plate with 356C.....
356C	20633	" " " " " Set Screw.....
6337	20633	" " Lifting Bracket with two 356C.....
7125	20633	" " " " " Hook.....
356C	20633	" " " " " Set Screw.....
356C	20633	" " " " " Set Screw....
2770	20633	" " Stop Dog with 140219C.....
140219C	20633	" " " " " Set Screw.....
23767	20633	Rock Shaft complete, Nos.2763,2770,6336, 6337, 7125 and two 12242.....

MACHINE BASE

No.	Plate	Name
131460	20657	Machine Base.....
131019	20657	" " Oil Pipe.....
131020	20657	" " " " Valve.....
54477	20657	" " Screw Stud.....
51576E	20657	" " " " Nut.....
9842	20657	" " " " " Washer.....
131279	20657	" Cushion (felt).....
948E	20657	" Screw, to fasten machine to base
131461	20657	Machine Base complete, Nos. 131019, 131020, 131460, three each 9842, 51576E, 54477 and four each 948E and 131279.....

MACHINE BASE OIL DRAIN JAR

(SWINGING TYPE)

No.	Plate	Name
131185	20658	Jar (glass).....
131191	20658	" Cap.....
131188	20658	" Clamp.....
131217	-----	" " 131188 with 131189.....
131189	20658	" " Lever.....
1247C	20658	" " " Hinge Screw.....
131265	20658	Nipple (long).....
131266	20658	" (short).....
131267	20658	" Elbow.....
131268	20658	Machine Base Oil Drain Jar (swinging type) complete, Nos. 131185, 131191, 131217, 131266 and two each 1247C, 131265 and 131267.....
131462	20658	Machine Base with Oil Drain Jar (swinging type) complete, Nos. 131268, 131460, three each 9842,51576E,54477 and four each 948E and 131279.....

From the library of: Diamond Needle Corp

TAPE HOLDER

(9 INCH DISC)

No.	Plate	Name
898D	20678	Disc Bracket Screw.....
1698D	20678	" " " Nut.....
120589	20678	Disc with Hub.....
120590	20678	" " Bracket and Tape Guide.....
793D	20678	Face Plate Thumb Screw.....
26073	20678	Tension Adjusting Collar with 51224W....
51224W	20678	" " " Thumb Screw....
13211	20678	" " Spring.....
120591	20678	Tape Holder (9 in. disc) complete, Nos. 793D,13211,26073,120589,120590 and two each 898D and 1698D.....

THREAD UNWINDER

FOR THREE SPOOLS

No.	Plate	Name
225259	20659	Spool Rest (for one spool) with 201018C.
225257	20659	" " (for two spools) with 201018C.
150203	20659	" " Cushion (felt).....
225388	20659	" " Rod.....
200383C	20659	" " " Set Screw.....
201018C	20659	" " Set Screw.....
202490	20659	" Stand with 200383C.....
225391	20659	Thread Guide.....
201696J	20659	" " Lock Nut.....
225326	20659	" " Position Cup.....
225324	20659	" " Rod with 208E and 225322...
208E	20659	" " " Screw.....
225322	20659	" " " Washer.....
259143	20659	Thread Unwinder complete, Nos. 201696J, 202490,225257,225259,225324,225326, 225388, three each 150203,225391 and wood screws 7/8 in. No. 12.....
27739	20659	Thread Cone (wood) for large cones.....
225390	20659	" " Holder, for inverted cones..

Note: Nos. 27739 and 225390 are used with, but not included in 259143.

NUMERICAL LIST OF PARTS

NUMERICAL LIST OF PARTS

No.	Plate	Name
129D	20671	Feed (front) Regulator Clamping Screw for 54402.....
144D	20669	Arm Rotary Shaft Screw.....
157J	20674	Feed (back) Dog Screw.....
159F	20669	Arm Rotary Shaft Flanged Bushing Screw..
161J	20672	Presser Bar Lifting Lever Extension Screw.....
171E	20670	Looper Bell Crank Connection Guide Screw
171D	20670	" Carrier Adjusting Screw for 54265
175E	20670	" " Connection Cap Screw for 54266.....
175E	20648	Slack Thread Regulator Holder Clamping Screw for 54042.....
176J	20674	Needle Guard Holder Screw.....
176J	20647	Thread (under) Nipper Spring Screw.....
187E	20670	Looper Carrier Pitman Cap (left) Screw for 54270.....
187E	20670	Looper Carrier Pitman Cap (right) Screw for 54270.....
187E	20646	Needle Bar Connecting Stud Clamping Screw for 54328.....
190J	20674	Presser Foot Screw.....
190J	20648	Slack Thread Controller Clamp Screw.....
190J	20647	Thread (under) Eyelet (back) Screw.....
190J	20647	" " Take-up Staple Spring Screw
190J	20648	" (upper) Controller Wire Clamp Screw.....
191D	20672	Face Plate Screw.....
203D	20674	Feed (front) Dog Screw.....
203D	20647	Tension (under thread) Pull-off Screw...
207D	20672	Oil Cup Screw.....
207J	20647	Thread (under) Take-up Stripper Screw...
207J	20648	" (upper) Controller Screw.....
207J	20648	" " Nipper Thread Guide Screw
208E	20659	Thread Unwinder Thread Guide Rod Screw for 225324.....
211F	20646	Thread (upper) Take-up Set Screw for 54328.....
212D	20671	Feed (front) Regulator Pitman Cap Screw.
217J	20669	" Eccentric Clamping Washer Screw for 54025.....
217F	20674	Needle Guard Screw.....
229D	20674	Looper Needle Guard Screw for 54378.....
316F	20648	Tension (upper thread) Releasing Shaft Stop Screw.....
356C	20633	Rock Shaft Knee Arm Hub Set Screw for 2766.....

NUMERICAL LIST OF PARTS

No.	Plate	Name
356C	20633	Rock Shaft Knee Plate Set Screw for 2767
356C	20633	" " Lifting Bracket Hook Set Screw for 6337.....
356C	20633	Rock Shaft Lifting Bracket Set Screw for 6337.....
376J	20648	Tension (upper thread) Bracket Screw....
422C	20669	Arm Rotary Shaft Bushing, intermediate (right) Set Screw (long).....
423C	20641	Arm Rock Shaft Bushing (intermediate) Set Screw.....
446C	20641	Arm Rock Shaft Bushing (back) Set Screw.
446C	20670	Looper Carrier Connection Shaft Bushing Set Screw.....
447C	20646	Presser Bar Guide Bracket Guide Set Screw.....
447C	20646	Presser Bar Lifter Hinge Stud Set Screw.
448C	20669	Feed (front) Lifting Eccentric Set Screw for 54401.....
453C	20641	Arm Rock Shaft Collar Set Screw for 54004.....
453C	20641	Arm Rock Shaft Crank (front) Pin Set Screw for 64255.....
453C	20641	Arm Rock Shaft Flanged Bushing (front) Set Screw.....
453C	20671	Feed (back) Bar Hinge Pin Set Screw for 54019.....
453C	20671	Feed Rocking Frame Hinge Pin Bushing Set Screw for 54026.....
453C	20671	Feed Rocking Frame Hinge Pin Set Screw for 54026.....
453C	20670	Looper Bell Crank Hinge Pin Bushing Set Screw.....
453C	20670	Looper Bell Crank Hinge Pin Set Screw....
453C	20646	Presser Bar Guide Bracket Set Screw for 54039.....
454C	20671	Feed (front) Bar Hinge Pin Set Screw for 54398.....
457C	20671	Feed Connecting Rod Hinge Pin Collar Set Screw for 54407.....
460C	20646	Presser Bar Lifting Lever Connecting Pin Set Screw for 61047.....
460C	20674	Presser Foot Shank Adjusting Screw Set Screw for 54411.....
460C	20647	Thread (under) Take-up Thread Guard Steady Pin Set Screw for 54049.....
465C	20671	Feed (front) Rock Shaft Collar Set Screw for 54369.....
465C	20669	Thread (under) Take-up Set Screw for 54280.....
465C	20669	Thread (under) Nipper Cam Set Screw for 64351.....

NUMERICAL LIST OF PARTS

No.	Plate	Name
574W	20672	Pressure Regulating Thumb Screw.....
590J	20674	Looper Thread Guard Screw for 54377.....
590J	20647	Thread (under) Take-up Staple Thread Guard Screw for 38478.....
624C	20648	Tension (upper thread) Releasing Shaft Crank Set Screw for 54047.....
640J	20646	Presser Bar Guide Bracket Adjusting Screw for 54039.....
679C	20670	Looper Carrier Pitman Ball Screw Stud (left) for 57334.....
704J	20670	Looper Holder Screw.....
725J	20673	Cloth Plate Slide (left) Spring Screw for 54390.....
725J	20673	Cloth Plate Slide (right) Spring Screw for 54392 and 68159.....
742F	20674	Throat Plate Screw.....
761E	20669	Arm Rotary Shaft Bushing (front) Set Screw.....
761E	20669	Arm Rotary Shaft Bushing, intermediate (left) Set Screw.....
793D	20678	Tape Holder Face Plate Thumb Screw for 120591.....
802D	20672	Presser Bar Lifting Lever Hinge Screw...
896E	20669	Crank Connecting Rod Cap (lower) Screw for 54259.....
896E	20671	Feed (front) Rock Shaft Crank (front) Clamping Screw for 54406.....
896E	20669	Feed Connecting Rod Cap Screw for 54111.
896E	20670	Looper Bell Crank Connection Cap (lower) Screw for 42075.....
896E	20670	Looper Bell Crank Connection Cap (upper) Screw for 42075.....
898D	20678	Tape Holder Disc Bracket Screw for 120591.....
948J	20669	Arm Rotary Shaft Bracket Screw for 131129.....
948E	20657	Machine Screw, to fasten machine to base, for 131461 and 131462.....
965D	20647	Thread (under) Take-up Staple Bracket Screw.....
1011F	20673	Cloth Plate Screw (left).....
1019C	20648	Slack Thread Regulator Holder Shaft Collar Set Screw for 24292.....
1034F	20671	Feed (front) Bar Hinge Pin Collar Set Screw for 61067.....
1036C	20670	Looper Bell Crank Ball Stud Set Screw for 54264.....
1036C	20670	Looper Driving Crank Set Screw for 54273
1057E	20669	Crank Connecting Rod Cap (upper) Screw for 54259.....

NUMERICAL LIST OF PARTS

No.	Plate	Name
1057E	20669	Feed Connecting Rod Clamping Screw for 54111.....
1103C	20669	Feed Regulating Screw for 54025.....
1120C	20670	Looper Set Screw for 54035.....
1133E	20646	Needle Bar Bushing (lower) Set Screw....
1133E	20646	" " " (upper) Set Screw....
1133E	20646	Presser Bar Bushing (lower) Set Screw....
1133E	20646	" " " (upper) Set Screw....
1149C	20648	Thread (upper) Nipper Body Set Screw....
1235F	20673	Cloth Plate Thread Guard.....
1247C	20658	Machine Base Oil Drain Jar Clamp Lever Hinge Screw for 131268.....
1250C	20646	Presser Bar Lifter Stop Screw.....
1253C	20648	Slack Thread Regulator Holder Shaft Crank Set Screw for 54044.....
1258C	20669	Arm Rotary Shaft Collar Set Screw for 54450.....
1258C	20670	Looper Avoiding Eccentric Set Screw for 54262.....
1259C	20669	Feed (back) Lifting Eccentric Set Screw for 54260.....
1259C	20670	Looper Driving Crank Position Screw for 54273.....
1423F	20674	Strip Guide (back) Screw.....
1443B	20676	Edge Guide Screw for 120501 and 120502..
1443D	20674	Strip Guide (front) Adjusting Plate Screw for 120582.....
1443D	20674	Strip Guide Screw for 120582.....
1449F	20674	Presser Foot Compensating Plate Hinge Screw for 54412 and 120586.....
1449F	20675	Presser Foot Compensating Plate (left) Hinge Screw for 68067.....
1449F	20675	Presser Foot Compensating Plate (right) Hinge Screw for 68067.....
1449J	20648	Thread (upper) Take-up Plate Spring Screw for 131335.....
1498F	20646	Needle Set Screw for 46152.....
1499F	20674	Edge Guide Screw for 120582.....
1519J	20670	Looper Carrier Pitman Ball Screw Stud (right) Nut.....
1520J	20670	Looper Carrier Pitman Ball Screw Stud (left) Nut.....
1520E	20646	Needle Bar Connecting Link Hinge Stud Nut.....
1539W	20672	Pressure Regulating Thumb Screw Lock Nut
1547J	20648	Tension (upper thread) Releasing Shaft Stop Screw Nut.....
1698R	20648	Thread (upper) Nipper Disc (outside) Nut for 68137.....
1698D	20678	Tape Holder Disc Bracket Screw Nut for 120591.....

NUMERICAL LIST OF PARTS

No.	Plate	Name
1872	20646	Presser Bar Lifter Roller and Stud for 61047.....
1963	20646	Presser Bar Guide Bracket Roller and Stud for 54039.....
2102	20647	Tension (under thread) Disc.....
2102	20648	" (upper thread) Disc.....
2117	20641	Arm Rock Shaft Crank (front) Pin.....
2763	20633	Rock Shaft for 23767.....
2766	20633	" " Knee Arm Hub with 356C, for 6336.....
2767	20633	Rock Shaft Knee Plate with 356C, for 6336.....
2770	20633	Rock Shaft Stop Dog with 140219C, for 23767.....
4822	20677	Wrench for 1547 (Accessories).....
4879	20633	Foot Lifter Chain Connecting Link for 150452.....
4882	20633	Foot Lifter Treadle Shaft for 150452....
6335	20633	Rock Shaft Knee Arm for 6336.....
6336	-----	Rock Shaft Knee Arm complete for 23767, Nos. 2766, 2767 and 6335.....
6337	20633	Rock Shaft Lifting Bracket with two 356C, for 23767.....
6439	-----	Foot Lifter Chain, 36 in. to 45 in., with 56864 and 56865.....
6575	20669	Crank Connecting Rod Oil Pad Stop Pin for 54259.....
7071	20669	Feed Eccentric Clamping Washer for 54025
7125	20633	Rock Shaft Lifting Bracket Hook for 23767.....
8908	20677	Wrench for 1520 (Accessories).....
9842	20657	Machine Base Screw Stud Nut Washer for 131461 and 131462.....
11119	20641	Arm Oil Tube with 52045, for oiling Thread (upper) Nipper.....
11173	20646	Presser Bar Guide Bracket Guide.....
12242	20633	Rock Shaft Hanger with two wood screws 1 in. No. 10, for 23767.....
13211	20678	Tape Holder Tension Adjusting Spring for 120591.....
13218	20648	Thread (upper) Nipper Stud Spring for 68137.....
*15404	-----	Trade Mark for 131129.....
15405	-----	" " Rivet for 131129.....
23767	20633	Rock Shaft complete, Nos. 2763, 2770, 6336, 6337, 7125 and two 12242.....
24292	20648	Slack Thread Regulator Holder Shaft Collar with 1019C.....
24701	20674	Presser Foot Compensating Plate Spring for 54412 and 120586.....

From the Library of the American Needle Company

No.	Plate	Name
24701	20675	Presser Foot Compensating Plate (left) Spring for 68067.....
24701	20675	Presser Foot Compensating Plate (right) Spring for 68067.....
25303	20646	Presser Bar Ball, size 1/4 in. for 64330
26073	20678	Tape Holder Tension Adjusting Collar with 51224W, for 120591.....
26276	20674	Presser Foot Hinge Pin for 54412, 68067 and 120586.....
27739	20659	Thread Unwinder Thread Cone (wood) for large cones, for 259143.....
27998	20677	Bench Stand Flap Hook and Eye (brass) with wood screw 1/2 in. No. 5, for 79611.....
32572	20648	Tension (upper thread) Releasing Disc...
37563	-----	Knee Lifter Chain, length 15 in. with 56864 and 56865.....
38210	20647	Thread (under) Nipper Spring (lower)....
38211	20647	Thread (under) Nipper Spring (upper)....
38284	20647	" " Eyelet (front).....
38393	20674	Looper Thread Guard for 54377.....
38419	20673	Cloth Plate Slide (left) Spring for 54390.....
38419	20673	Cloth Plate Slide (right) Spring for 54392 and 68159.....
38456	20646	Needle Bar Bushing (lower).....
38456	20646	Presser Bar Bushing (upper).....
38467	20672	" " Spring (flat).....
38468	20672	" " " Stud.....
38478	20647	Thread (under) Take-up Staple with 590J and 38481.....
38481	20647	Thread (under) Take-up Staple Thread Guard for 38478.....
38487	20677	Threading Wire (Accessories).....
39026	20671	Feed (front) Regulating Screw Stud Nut Washer.....
40326	20669	Arm Rotary Shaft Bushing (front) Oil Pad (braided cotton).....
41538	-----	Bench Stand Flush Bolt with Plate com- plete for 79611, Nos. 126247, 126248 and four brass wood screws 5/8 in. No. 4 F.H.....
42074	20670	Looper Bell Crank Ball Stud for 54348...
42075	20670	" " " Connection with four 896E, for 54348.....
42077	20670	Looper Bell Crank Connection Guide.....
42078	20670	" " " Hinge Pin for 54349...
42079	20670	" " " " " Bushing.....
42366	20641	Arm Oil Pad (braided cotton) for oiling Arm Rock Shaft Front Bearing.....

No.	Plate	Name
46035	20648	Slack Thread Controller Clamp.....
46041	20647	Thread (under) Take-up Staple Spring....
46105	20674	Looper Needle Guard Pin for 46204.....
46111	20673	Arm Side Cover (back) Position Pin.....
46152	20646	Needle Clamp with two 1498F, for 54274..
46204	20674	Looper Needle Guard with 46105, for 54378.....
46247	20647	Thread (under) Nipper Spring (upper) Stop.....
49013	20669	Arm Rotary Shaft Front Bearing Oil Pad (braided cotton).....
49013	20670	Looper Carrier Connection Shaft Oil Pad (braided cotton).....
49092	20673	Cloth Plate Oil Tube Packing (felt) for 54309.....
49092	20672	Oil Cup Oil Pad (felt) for 54275.....
49092	20672	" Tube Packing (felt) for 54110.....
50016C	20670	Looper Carrier Pitman Ball Screw Stud (right) for 54334.....
50083C	20669	Arm Rock Shaft Crank (back) Set Screw for 131072.....
50083C	20671	Feed (front) Rock Shaft Crank (back) Set Screw (large) for 54405.....
50084C	20669	Arm Rotary Shaft Bushing, Intermediate (right) Set Screw (short).....
50150C	20648	Slack Thread Regulator Set Screw for 54042.....
50200C	20671	Feed (front) Rock Shaft Crank (back) Set Screw (small) for 54405.....
50326C	20647	Tension (under thread) Screw Stud for 59539.....
50326C	20648	Tension (upper thread) Screw Stud for 59539.....
50402C	20671	Feed (front) Bar Connecting Link Hinge Screw (lower).....
50402C	20671	Feed (front) Bar Connecting Link Hinge Screw (upper).....
50429C	20671	Feed (back) Dog Stop Screw for 54019....
50429C	20674	Presser Foot Shank Adjusting Screw for 54411.....
50473F	20673	Cloth Plate Screw (right).....
50473F	20647	Tension (under thread) Pull-off Eyelet Screw.....
50571D	20671	Feed (front) Rock Shaft Crank (back) Ad- justing Screw for 54405.....
51044C	20671	Feed (front) Regulating Screw Stud.....
51061C	20669	" Eccentric Body Set Screw for 54025.
51224W	20672	Arm Side Cover (back) Thumb Screw.....
51224W	20672	" " " (front) Thumb Screw.....
51224W	20672	Face Plate Thumb Screw.....

No.	Plate	Name
51224W	20678	Tape Holder Tension Adjusting Collar Thumb Screw for 26073.....
51283C	20669	Balance Wheel Set Screw for 64259.....
51552C	20671	Feed (front) Regulating Screw Stud Nut..
51570C	20647	Tension (under thread) Regulating Thumb Nut for 59539.....
51570C	20648	Tension (upper thread) Regulating Thumb Nut for 59539.....
51576E	20657	Machine Base Screw Stud Nut for 131461 and 131462.....
52045	20641	Arm Oil Tube Packing (felt) for 11119 and 56003.....
52045	20641	Arm Rock Shaft Bushing Oil Pad (braided cotton).....
52045	20641	Arm Rock Shaft Flanged Bushing (front) Oil Pad (braided cotton).....
52045	20669	Arm Rotary Shaft Bushing, intermediate (left) Oil Pad (braided cotton).....
53225	20647	Thread (under) Eyelet (back).....
54004	20641	Arm Rock Shaft Collar with two 453C, for 68119.....
54007	20669	Arm Rotary Shaft Bushing, intermediate (right) for 54089.....
54009	20669	Arm Rotary Shaft Flanged Bushing for 54090.....
54010	20672	Arm Side Cover (front).....
54019	20671	Feed (back) Bar with 50429C and two 453C
54020	20669	" " " Connection.....
54023	20671	Feed Connecting Rod Hinge Pin.....
54025	20669	Feed Eccentric (adjustable) complete for 54113, Nos. 1103C and two each 217J, 7071 and 51061C.....
54026	20671	Feed Rocking Frame with two 453C.....
54035	20670	Looper Holder with 1120C.....
54038	20674	Needle Guard Holder.....
54039	20646	Presser Bar Guide Bracket with 453C, 640J and 1963.....
54042	20648	Slack Thread Regulator Holder with 175E and two 50150C.....
54043	20648	Slack Thread Regulator Holder Shaft.....
54044	20648	" " " " " Crank (forked) with 1253C.....
54047	20648	Tension (upper thread) Releasing Shaft Crank with 624C.....
54048	20648	Tension (upper thread) Releasing Shaft Crank Link.....
54049	20647	Thread (under) Take-up Staple Bracket with 460C.....
54070	20648	Tension (upper thread) Bracket.....
54071	20648	" " " Releasing Shaft..

No.	Plate	Name
54080	20669	Arm Rotary Shaft Bushing (front).....
54081	20669	" " " " intermediate (left).....
54089	-----	Arm Rotary Shaft Bushing, intermediate (right) 54007 with 64508 and 64805..
54090	-----	Arm Rotary Shaft Flanged Bushing 54009 with 58039 and 64805.....
54095	20648	Thread (upper) Take-up Plate for 131335.
54104	20673	Cloth Plate Thread Guard.....
54105	20641	Arm Rock Shaft Flanged Bushing (front)..
54108	20672	Oil Tube for 54110.....
54109	20672	" " Bracket for 54110.....
54110	20672	Oil Tube complete for oiling Crank Con- nection Rod (upper bearing) Nos. 49092, 54108 and 54109.....
54111	20669	Feed Connecting Rod with 1057E and two 896E, for 54113.....
54113	-----	Feed Connecting Rod 54111 with 54025, for 54433.....
54218	20669	Crank Connecting Rod Oil Pad (braided cotton) for 54259.....
54242	20648	Thread (upper) Controller Wire Clamp....
54256	20672	Arm Side Cover (back).....
54259	20669	Crank Connecting Rod with 6575, 54218, 68350 and two each 896E and 1057E, for 131346.....
54260	20669	Feed (back) Lifting Eccentric with two 1259C.....
54262	20670	Looper Avoiding Eccentric with two 1258C
54263	20670	" " " Connection for 54343.....
54264	20670	Looper Bell Crank with 1036C, for 54349.
54265	20670	" Carrier with two 171D, for 54344.
54266	20670	" " Connection with two 175E, for 54343.....
54268	20670	Looper Carrier Connection Shaft for 54344.....
54269	20670	Looper Carrier Connection Shaft Bushing.
54270	20670	" " Pitman with four 187E, for 54334.....
54273	20670	Looper Driving Crank with 1036C and 1259C, for 54348.....
54274	20646	Needle Bar complete, Nos. 46152 and 64319.....
54275	20672	Oil Cup with 49092.....
54276	20648	Slack Thread Regulator.....
54277	20647	Tension (under thread) Pull-off.....
54278	20647	" " " " Eyelet (adjustable).....
54279	20647	Tension (under thread) Thread Guide (double).....

No.	Plate	Name
54280	20669	Thread (under) Take-up with 463C.....
54281	20647	" " " Stripper.....
54282	20648	" (upper) Controller Wire.....
54309	20676	Cloth Plate Oil Tube with 49092, for 54393 and 131845.....
54315	20671	Feed (front) Rock Shaft Crank (back) Slide Block (two pieces).....
54326	20646	Needle Bar Connecting Link for 54329....
54327	20646	" " " " Hinge Stud for 54329.....
54328	20646	Needle Bar Connecting Stud with 211F and two 187E, for 54329.....
54329	-----	Needle Bar Connecting Link 54326 with 54327 and 54328.....
54331	20648	Thread (upper) Controller.....
54334	-----	Looper Carrier Pitman 54270 with 679C and 50016C.....
54343	-----	Looper Carrier Connection 54266 with 54263, for 54344.....
54344	-----	Looper Carrier Connection 54343 with 54265 and 54268.....
54348	-----	Looper Driving Crank 54273 with 42074 and 42075.....
54349	-----	Looper Bell Crank 54364 with 42075.....
54369	20671	Feed (front) Rock Shaft Collar with two 463C.....
54377	20674	Looper with 590J and 38393, for 54378...
54378	20674	" 54377 with 229D and 46204.....
54387	20669	Arm Rotary Shaft for 54433.....
54393	20676	Cloth Plate for 54393 and 131845.....
54399	20676	" " Slide (left) for 54390.....
54390	-----	Cloth Plate Slide (left) complete for 54393 and 131845, Nos. 38419, 54389 and two 725J.....
54391	20676	Cloth Plate Slide (right) for 54392....
54392	-----	Cloth Plate Slide (right) complete for Throat Plate 131092, for 1/8 in. to 1/4 in. gauges, for 54393, Nos. 38419, 54391 and two 725J.....
54393	-----	Cloth Plate complete for Throat Plate 131092, for 1/8 in. to 1/4 in. gauges, Nos. 54309, 54388, 54390 and 54392.....
54394	20671	Feed (back) Bar Hinge Pin.....
54395	20674	" " Dog, 13 teeth (14 teeth to the inch) for 1/8 in. to 1/4 in. gauges, for 131092.....
54396	20671	Feed (front) Bar.....
54397	20671	" " " Connecting Link.....
54398	20671	" " " Connection with two 454C, for 131465.....

No.	Plate	Name
54399	20671	Feed (front) Bar Hinge Pin.....
54400	20674	" " Dog, 9 teeth (14 teeth to the inch) for 1/8 in. to 1/4 in. gauges, for 54413 and 131092.....
54401	20669	Feed (front) Lifting Eccentric with two 448C, for 54433.....
54402	20671	Feed (front) Regulator with 129D, for 131465.....
54403	20671	Feed (front) Regulator Pitman.....
54404	20671	" " Rock Shaft.....
54405	20671	" " " Crank (back) forked, with 50083C, 50200C and 50571D.....
54406	20671	Feed (front) Rock Shaft Crank (front) with two 896E.....
54407	20671	Feed Connecting Rod Hinge Pin Collar with 457C.....
54408	20676	Presser Foot Compensating Plate for 54412.....
54410	20676	Presser Foot Plate for 54412.....
54411	20676	" " Shank with 460C and 50429C, for 54412, 68067 and 120586.....
54412	20676	Presser Foot (compensating, hinged) com- plete, Nos. 26276, 54408, 54410, 54411 and two each 1449F and 24701.....
54413	20676	Throat Plate, for 1/8 in. to 1/4 in. gauges, for 54400, 68159, 68364 and 131845.....
54433	-----	Arm Rotary Shaft 54387 with 54113, 54401, 54450, 64351, 64355 and 131346.....
54450	20669	Arm Rotary Shaft Collar with two 1258C, for 54433.....
54477	20657	Machine Base Screw Stud for 131461 and 131462.....
54988	20648	Tension (upper thread) Releasing Pin....
56003	20641	Arm Oil Tube with 52045, for oiling Needle Bar Connecting Link.....
56006	20641	Arm Oil Pad (braided cotton) for oiling Arm Rock Shaft Intermediate Bearing.
56864	20677	Chain Hook (large) for 6439 and 37563...
56865	20677	" " (small) for 6439 and 37563...
57234	20671	Feed Rocking Frame Hinge Pin.....
57235	20671	" " " " Bushing....
57257	20646	Presser Bar Lifter.....
57258	20646	" " " Hinge Stud.....
58039	20669	Arm Rotary Shaft Flanged Bushing Oil Pad, long (braided cotton) for 54090....
59456	20648	Thread (upper) Nipper Disc (outside) Nut Washer for 68137.....
59537	20647	Tension (under thread) Spring Bushing (large).....

No.	Plate	Name
59537	20648	Tension (upper thread) Spring Bushing (large).....
59538	20647	Tension (under thread) Spring Bushing (small).....
59538	20648	Tension (upper thread) Spring Bushing (small).....
59539	-----	Tension (under thread) Screw Stud 50320C with 51570C.....
59539	-----	Tension (upper thread) Screw Stud 50320C with 51570C.....
60656	20677	Bench Stand Hinge for 79611.....
61047	20646	Presser Bar Lifting Bracket with 460C and 1872.....
61067	20671	Feed (front) Bar Hinge Pin Collar with 1034F.....
61075	20672	Presser Bar Lifting Lever Connecting Pin
64255	20641	Arm Rock Shaft Crank (front) with 453C, for 68119.....
64259	20669	Balance Wheel, 2 in. diam. pulley, with two 51283C.....
64319	20646	Needle Bar (hollow) for 54274.....
64320	20646	" " Bushing (upper).....
64330	20646	Presser Bar with 25303.....
64331	20646	" " Bushing (lower).....
64336	20648	Slack Thread Controller.....
64351	20669	Thread (under) Nipper Cam with 465C, for 54433.....
64355	20669	Thread (under) Take-up Thread Guard for 54433.....
64356	20647	Thread (under) Take-up Thread Guard Steady Pin.....
64386	20641	Arm Rock Shaft Bushing (back).....
64388	20641	" " " " (intermediate)...
64508	20669	" Rotary Shaft Bushing, intermediate (right) Oil Pad, long (braided cotton) for 54089.....
64805	20669	Arm Rotary Shaft Bushing, intermediate (right) Oil Pad, short (braided cotton) for 54089.....
64805	20669	Arm Rotary Shaft Flanged Bushing Oil Pad, short (braided cotton) for 54090.....
68062	20675	Feed (back) Dog, 7 teeth (8 teeth to the inch) for 1/8 in. to 1/4 in. gauges, for 68070.....
68063	20675	Feed (front) Dog, 5 teeth (8 teeth to the inch) for 1/8 in. to 1/4 in. gauges, for 68070.....
68064	20675	Presser Foot Compensating Plate (left) for 68067.....

No.	Plate	Name
68065	20675	Presser Foot Compensating Plate (right) for 68067.....
68066	20675	Presser Foot Plate for 68067.....
68067	20675	Presser Foot (compensating, hinged) complete, Nos. 26276, 54411, 68064 to 68066, four each 1449F and 24701....
68068	20675	Throat Plate Seam Guide for 68070.....
68069	20675	" " for 68070.....
68070	20675	" " 68069 with 68068, for 1/8 in. to 1/4 in. gauges, for 68062, 68063, 68159 and 131845.....
68079	20672	Face Plate.....
68118	20641	Arm Rock Shaft for 68119.....
68119	-----	" " " 68118 with 54004 and 64255
68129	20648	Thread (upper) Nipper Body for 68137....
68130	20648	" " " Disc (inside) for 68137.....
68131	20648	Thread (upper) Nipper Disc (inside) Washer (fibre) for 68137.....
68132	20648	Thread (upper) Nipper Disc (outside) for 68137.....
68133	20648	Thread (upper) Nipper Roller for 68136..
68134	20648	" " " " Hinge Pin for 68136.....
68135	20648	Thread (upper) Nipper Stud for 68136....
68136	-----	" " " " 68135 with 68133 and 68134, for 68137.....
68137	-----	Thread (upper) Nipper complete, Nos. 1698R, 13218, 59456, 68129 to 68132 and 68136.....
68138	20648	Thread (upper) Nipper Thread Guide.....
68158	20673	Cloth Plate Slide (right) for 68159.....
68159	-----	Cloth Plate Slide (right) complete for Throat Plates 54413 and 68070, for 1/8 in. to 1/4 in. gauges, for 131845, Nos. 38419, 68158 and two 725J
68164	20648	Thread (upper) Take-up Plate Spring for 131335.....
68184	20672	Presser Bar Lifting Lever Extension....
68208	20672	" " " Lever.....
68222	20633	Belt Guard with two wood screws 1 in. No. 12 F.H.....
68261	20648	Tension (upper thread) Releasing Shaft Spring.....
68350	20669	Crank Connecting Rod Oil Cup for 54259..
68364	20676	Feed (back) Dog, 12 teeth (14 teeth to the inch) for 1/8 in. to 1/4 in. gauges, for 54413.....
68547	20677	Wrench for 51044 (Accessories).....

No.	Plate	Name
79611	-----	Bench Stand with 27998, two each 41538, 126849, three wood screws 1 1/4 in. No. 12, four each 60656, wood screws 1 1/4 in. No. 10, eight wood screws 5/8 in. No. 6 and sixteen wood screws 5/8 in. No. 7.....
120341	20677	Tweezers (curved) Accessories.....
120344	20677	Oiler (copper plated) with 120345 (Accessories).....
120345	20677	Oiler Spout, 4 1/2 in. long, for 120344 (Accessories).....
120440	20677	Screw Driver (large) Accessories.....
120501	20676	Edge Guide (left half) for hemming sweaters.....
120502	20676	Edge Guide (right half) for hemming sweaters.....
120579	20674	Edge Guide, for body of garment, for 120582.....
120580	20674	Strip Guide (front) for 120582.....
120581	20674	" " " Adjusting Plate for 120582.....
120582	20674	Edge Guide and Strip Guide (adjustable) complete for sewing facing strip on sweaters, Nos. 120579 to 120581 and four 1443D.....
120583	20674	Strip Guide (back) for 120582.....
120584	20674	Presser Foot Compensating Plate for 120586.....
120585	20674	Presser Foot Plate for 120586.....
120586	20674	Presser Foot (compensating, hinged) complete for 120582, for stolling sweaters, Nos. 26276, 54411, 120584, 120585 and two each 1449F and 24701.
120589	20678	Tape Holder Disc with Hub.....
120590	20678	" " " " Bracket and Tape Guide.....
120591	20678	Tape Holder (9 in. disc) complete, Nos. 793D, 13211, 26073, 120589, 120590 and two each 898D and 1698D.....
121108	20677	Screw Driver (small) Accessories.....
126247	20677	Bench Stand Flush Bolt for 41538.....
126248	20677	" " " " Plate for 41538..
126249	20633	Foot Lifter Treadle for 150452.....
126250	20633	" " " Spring for 150452..
126849	20677	Bench Stand Flap Hinge with four wood screws 3/4 in. No. 7, for 79611....
131019	20657	Machine Base Oil Pipe for 131461.....
131020	20657	" " " " Valve for 131461..
131072	20669	Arm Rock Shaft Crank, back (ball bearing, solid) with two 50083C, for 131346..

No.	Plate	Name
131092	20674	Throat Plate for 1/8 in. to 1/4 in. gauges, for 54392, 54393, 54395 and 54400.....
*131129	-----	Arm, upper and lower (solid) with 948J, 15404 and two 15405.....
131185	20658	Machine Base Oil Drain Jar (glass) for 131268.....
131188	20658	Machine Base Oil Drain Jar Clamp for 131217.....
131189	20658	Machine Base Oil Drain Jar Clamp Lever for 131217.....
131191	20658	Machine Base Oil Drain Jar Cap for 131268.....
131217	-----	Machine Base Oil Drain Jar Clamp 131188 with 131189, for 131268.....
131265	20658	Machine Base Oil Drain Jar Nipple (long) for 131268.....
131266	20658	Machine Base Oil Drain Jar Nipple (short) for 131268.....
131267	20658	Machine Base Oil Drain Jar Nipple Elbow for 131268.....
131268	20658	Machine Base Oil Drain Jar (swinging type) complete for 131462, Nos. 131185, 131191, 131217, 131266 and two each 1247C, 131265 and 131267.....
131269	20674	Needle Guard for 1/8 in. to 1/4 in. gauges.....
131279	20657	Machine Cushion (felt) for 131461 and 131462.....
131334	20648	Thread (upper) Take-up for 131335.....
131335	-----	Thread (upper) Take-up complete, Nos. 1449J, 54095, 68164 and 131334.....
131346	-----	Crank Connecting Rod 54259 with 131072, for 54433.....
131460	20657	Machine Base for 131461 and 131462.....
131461	20657	Machine Base complete, Nos. 131019, 131020, 131460, three each 9842, 51576E, 54477 and four each 948E and 131279.....
131462	20658	Machine Base with Oil Drain Jar (swinging type) complete, Nos. 131268, 131460, three each 9842, 51576E, 54477 and four each 948E and 131279.....
131465	-----	Feed (front) Bar Connection 54398 with 54402.....
131696	20648	Tension (upper thread) Thread Guide (double).....
131740	20647	Tension (under thread) Spring.....
131741	20648	" (upper thread) Spring.....

NUMERICAL LIST OF PARTS

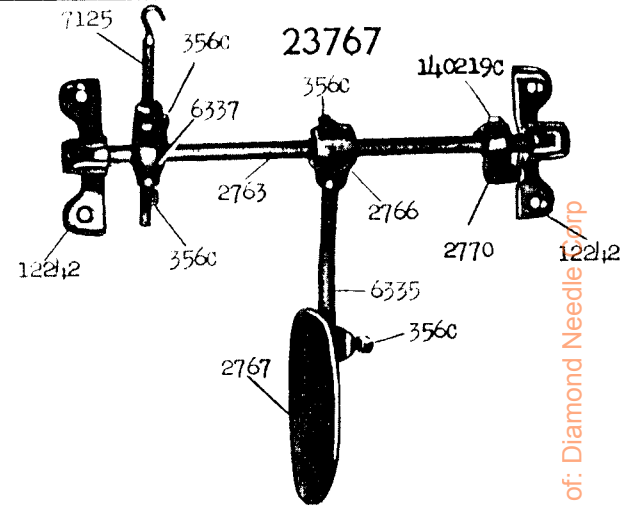
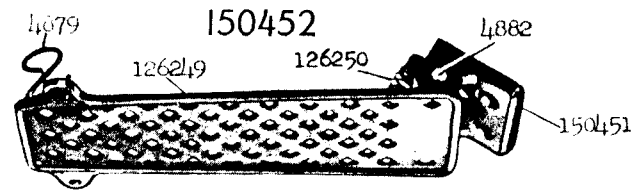
No.	Plate	Name
131645	-----	Cloth Plate complete for Throat Plates 54413 and 68070, for 1/8 in. to 1/4 in. gauges, Nos. 54309, 54388, 54390 and 68159.....
140219C	20633	Rock Shaft Stop Dog Set Screw for 2770..
150203	20659	Thread Unwinder Spool Rest Cushion (felt) for 259143.....
150451	20633	Foot Lifter Treadle Stand for 150452....
150452	20633	Foot Lifter Treadle complete, Nos. 4879, 4882, 126249, 126250, 150451 and two wood screws 1 in. No. 16 F.H.....
200383C	20659	Thread Unwinder Spool Rest Rod Set Screw for 202490.....
201018C	20659	Thread Unwinder Spool Rest Set Screw for 225257 and 225259.....
201696J	20659	Thread Unwinder Thread Guide Lock Nut for 259143.....
202490	20659	Thread Unwinder Spool Stand with 200383C, for 259143.....
225257	20659	Thread Unwinder Spool Rest (for two spools) with 201018C, for 259143....
225259	20659	Thread Unwinder Spool Rest (for one spool) with 201018C, for 259143.....
225322	20659	Thread Unwinder Thread Guide Rod Washer for 225324.....
225324	20659	Thread Unwinder Thread Guide Rod with 208E and 225322, for 259143.....
225326	20659	Thread Unwinder Thread Guide Position Cup for 259143.....
225388	20659	Thread Unwinder Spool Rest Rod for 259143.....
225390	20659	Thread Unwinder Thread Cone Holder for inverted cones, for 259143.....
225391	20659	Thread Unwinder Thread Guide for 259143.
259143	20659	Thread Unwinder complete for three spools, Nos. 201696J, 202490, 225257, 225259, 225324, 225326, 225388, three each 150203, 225391 and wood screws 7/8 in. No. 12.....

Genuine Singer Needles should be used
in Singer Machines.
These Needles and their Containers
are marked with the
Company's Trade Mark "SIMANCO." 1

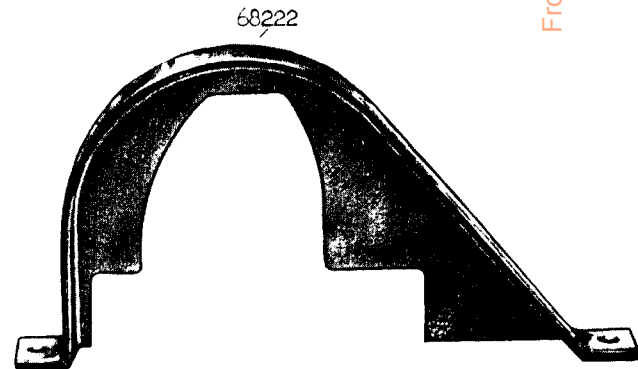
Needles in Containers marked
"For Singer Machines"
are not Singer made needles. 2

ILLUSTRATIONS
OF
PARTS

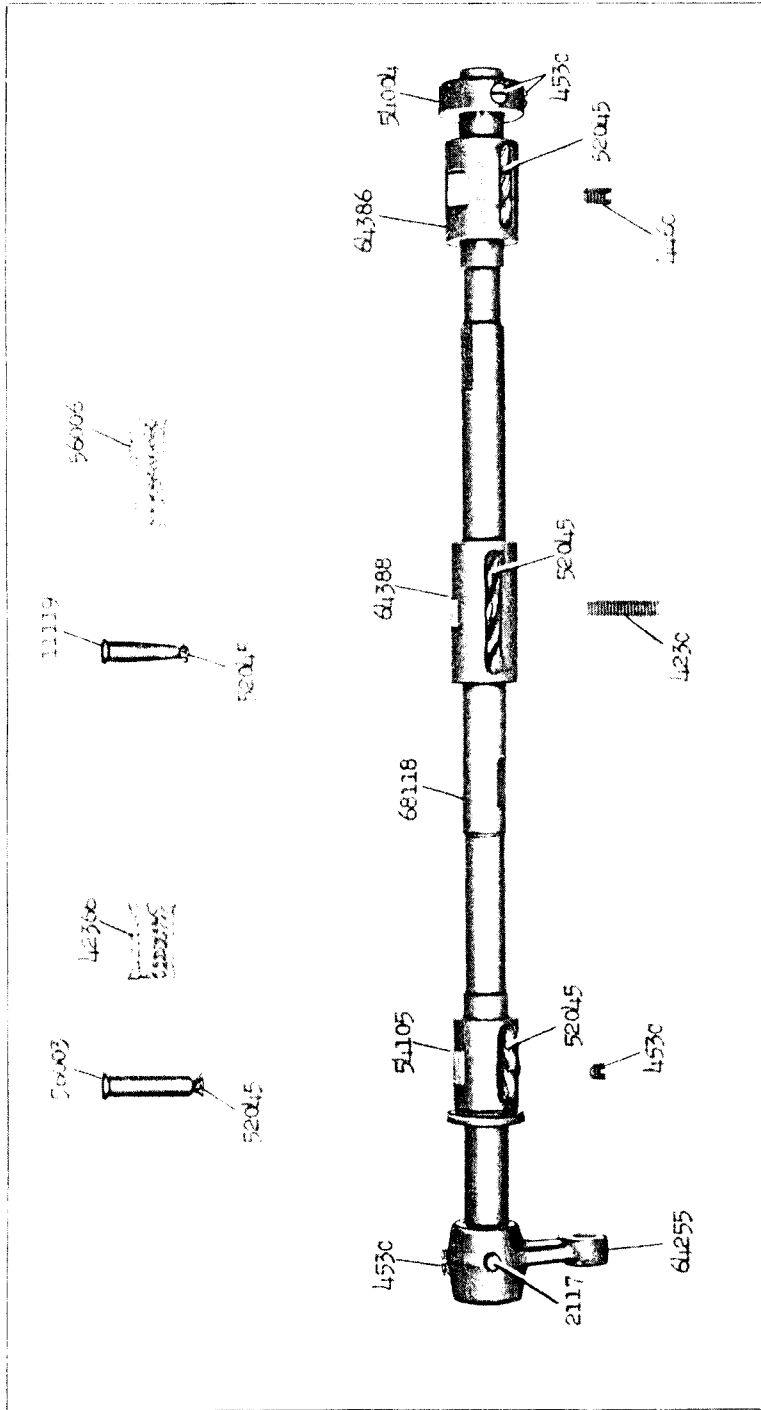
20633 - 1/4



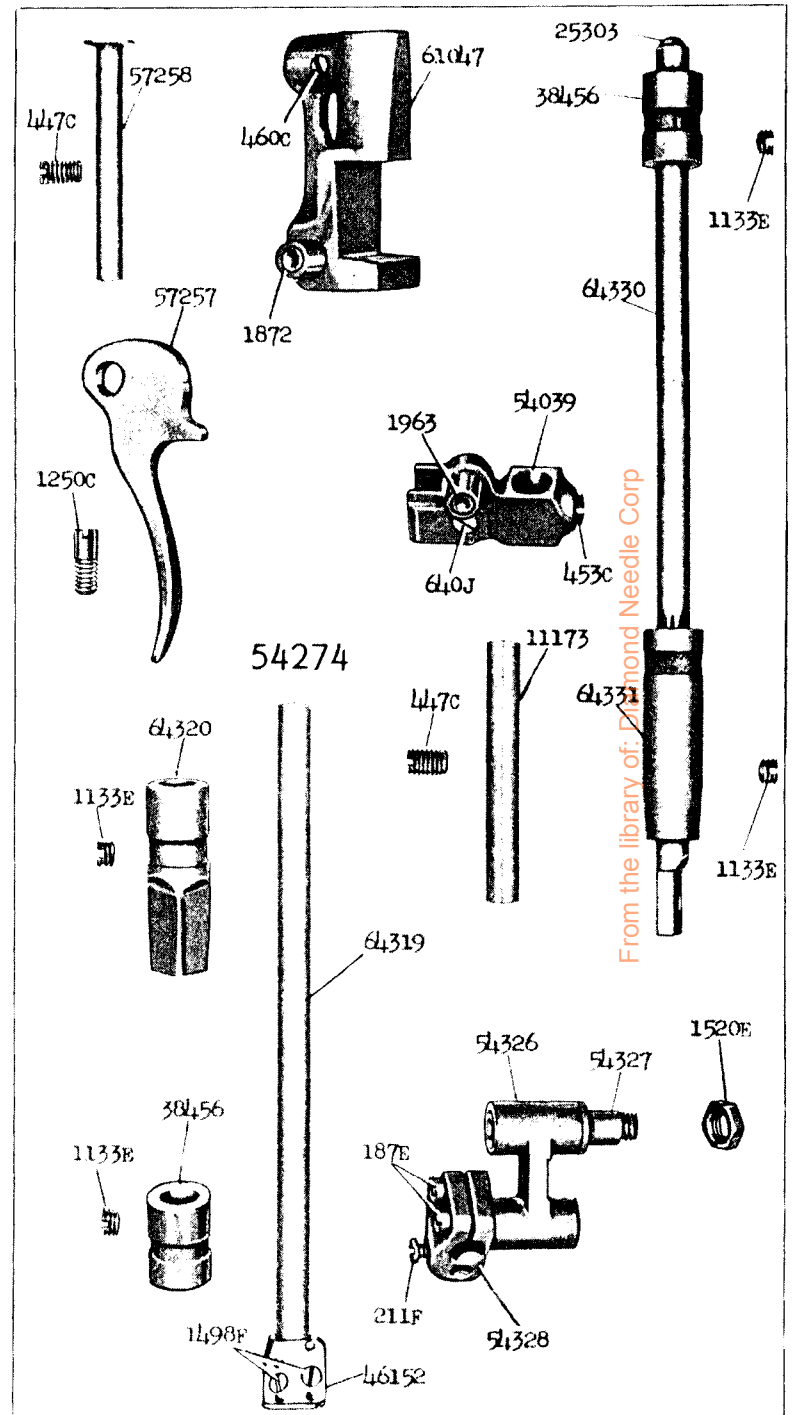
From the library of: Diamond Needle Corp

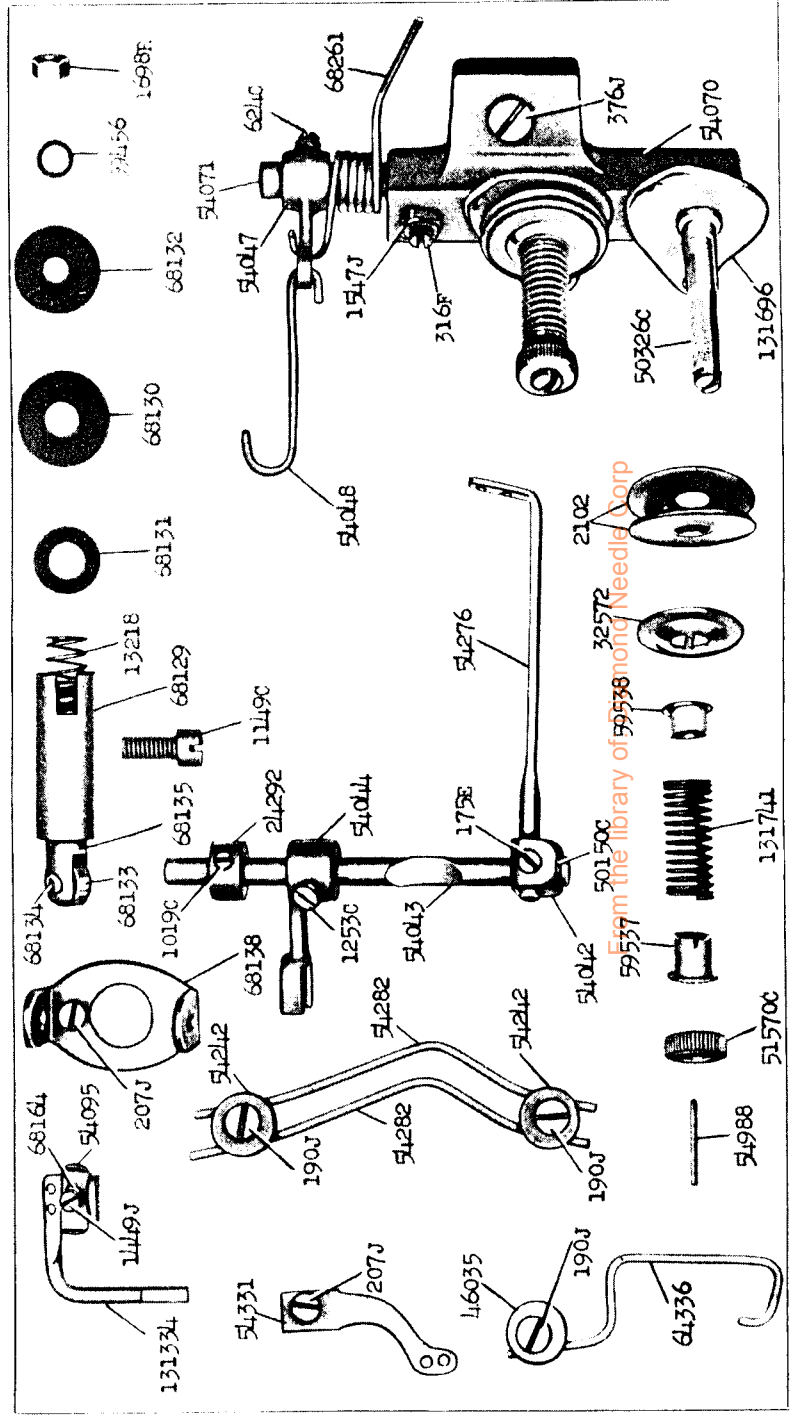
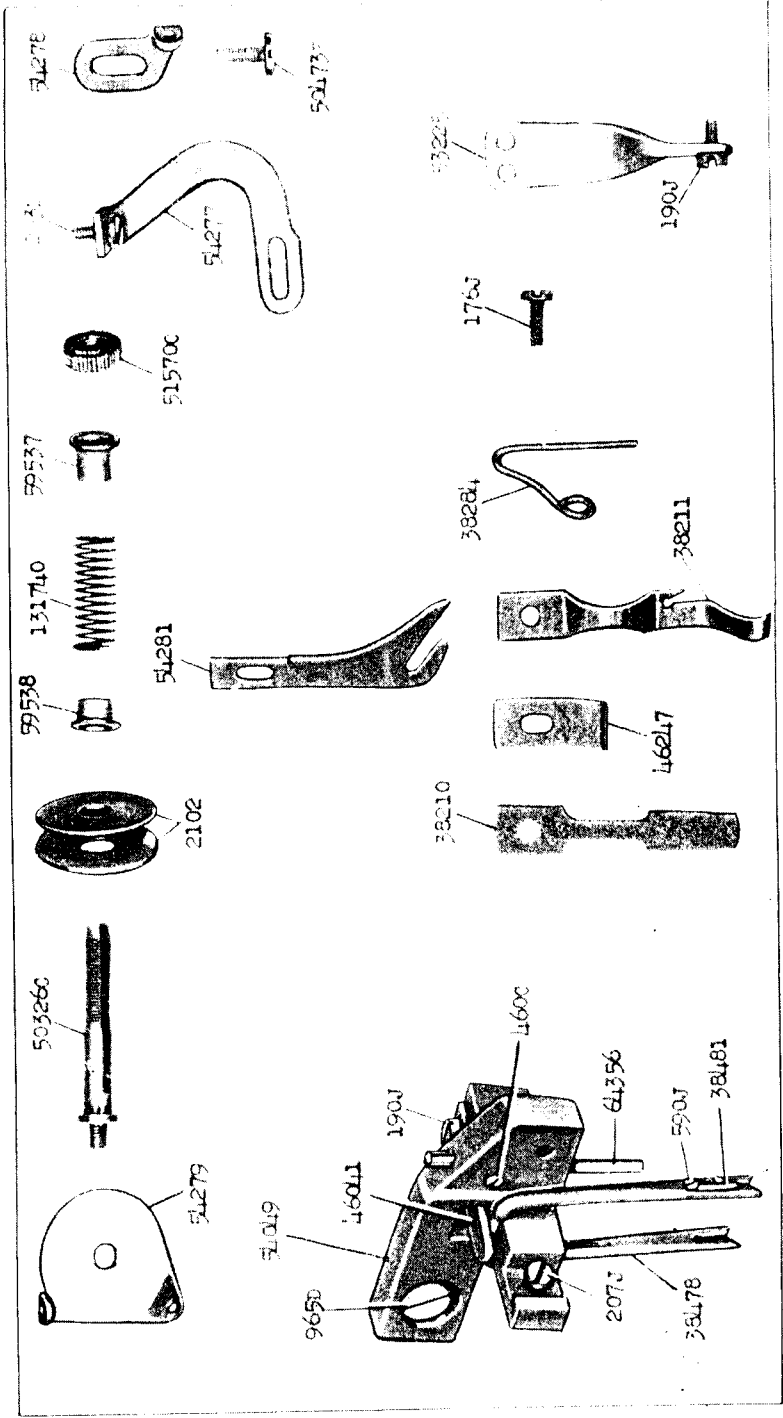


20641 - 1/2

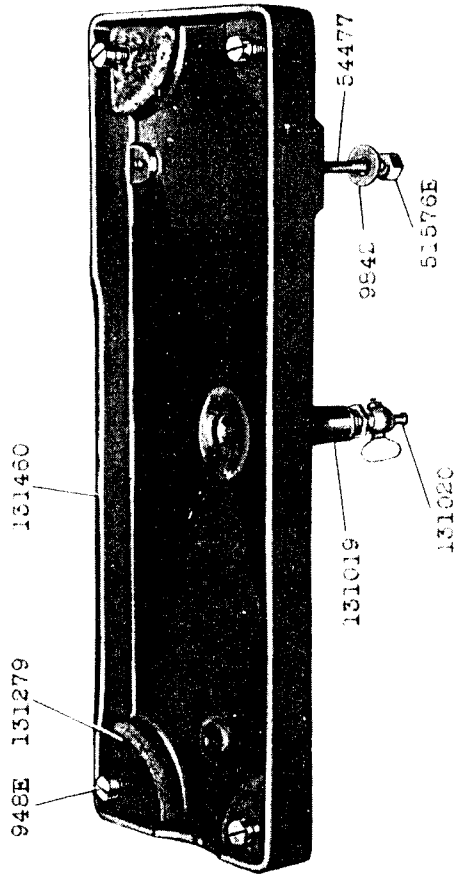


20646 - 2/3



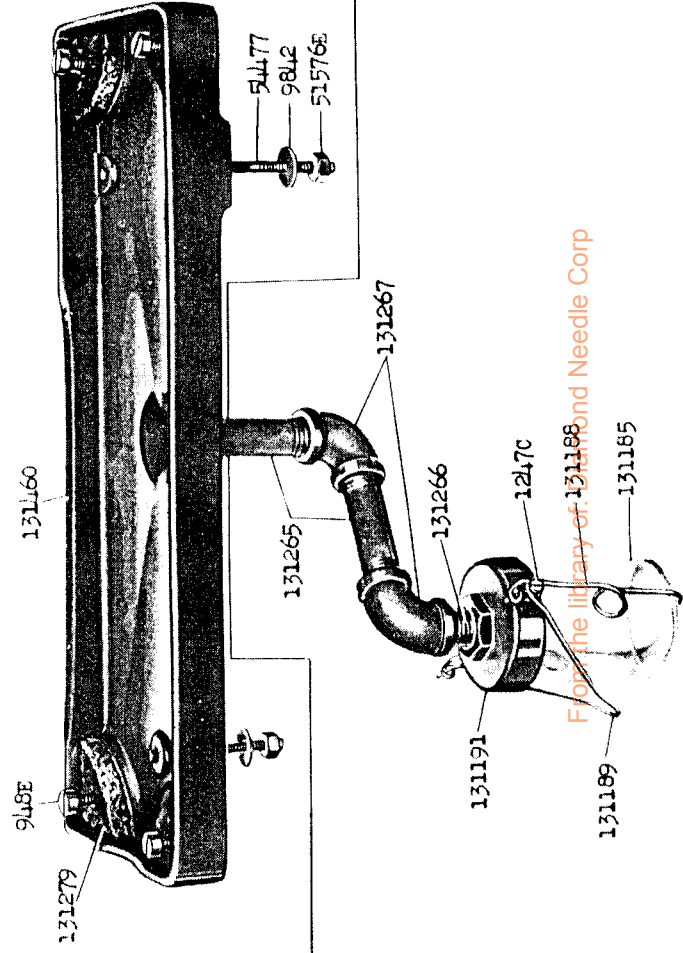


131461



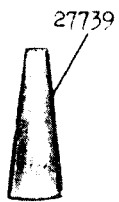
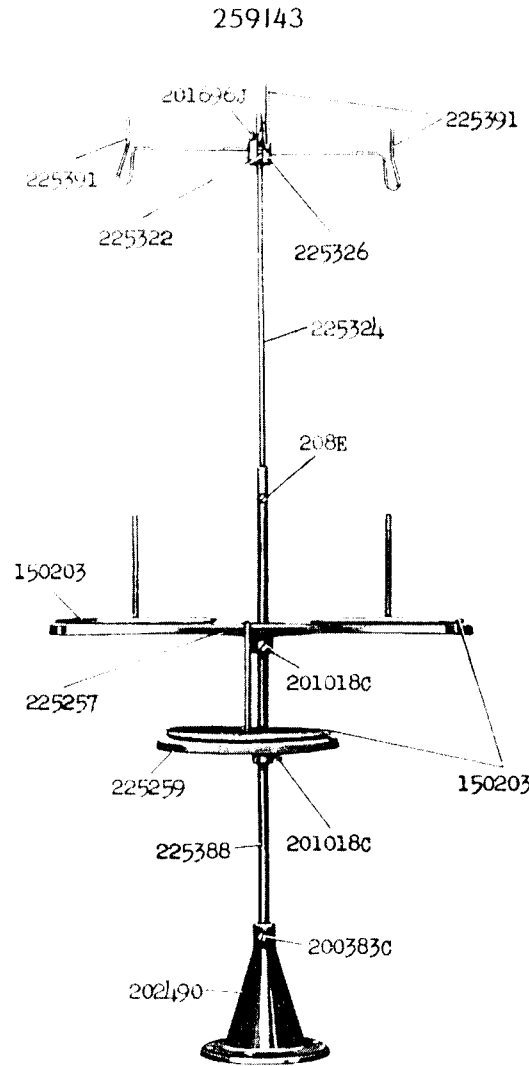
131462

131268

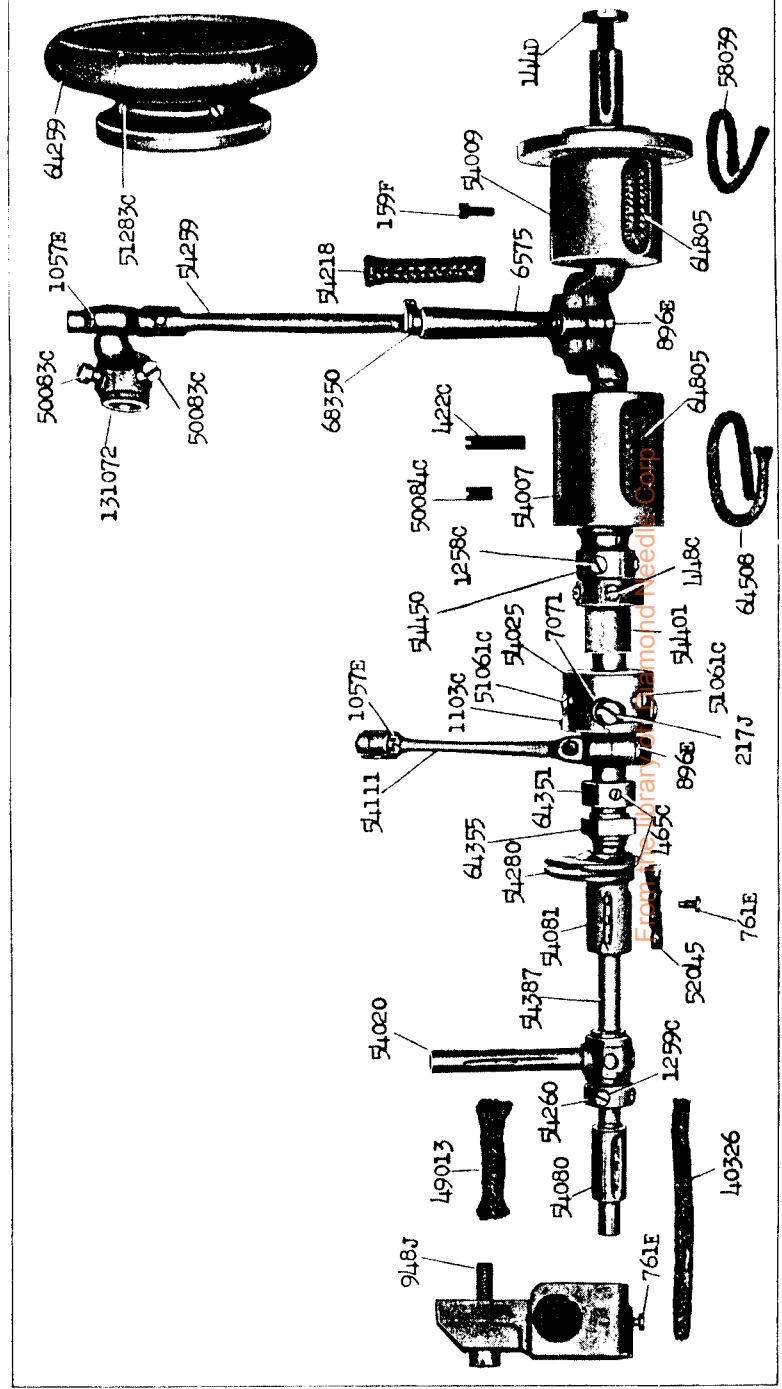


From the library of: **Richard Needle Corp**

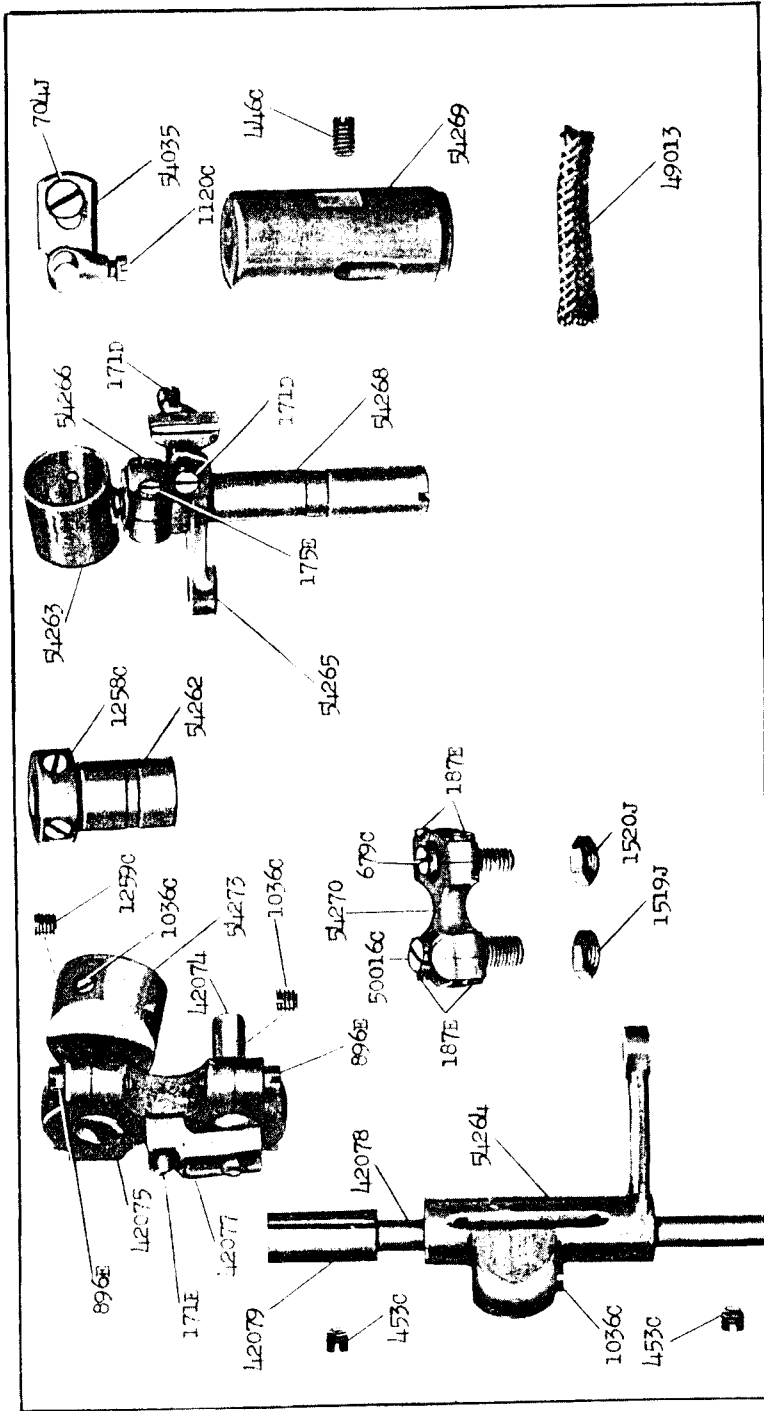
20659 - 1/4



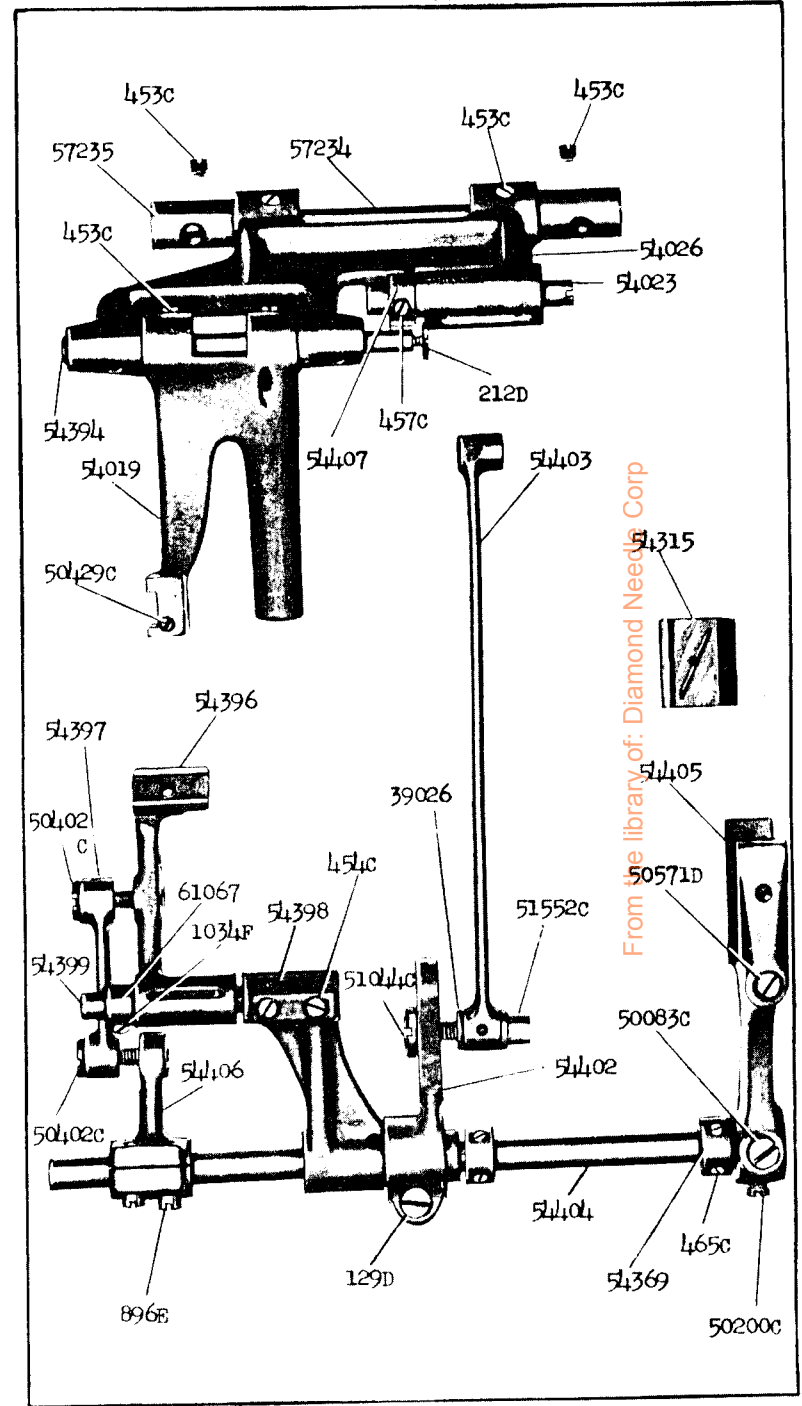
20669 - 1/3



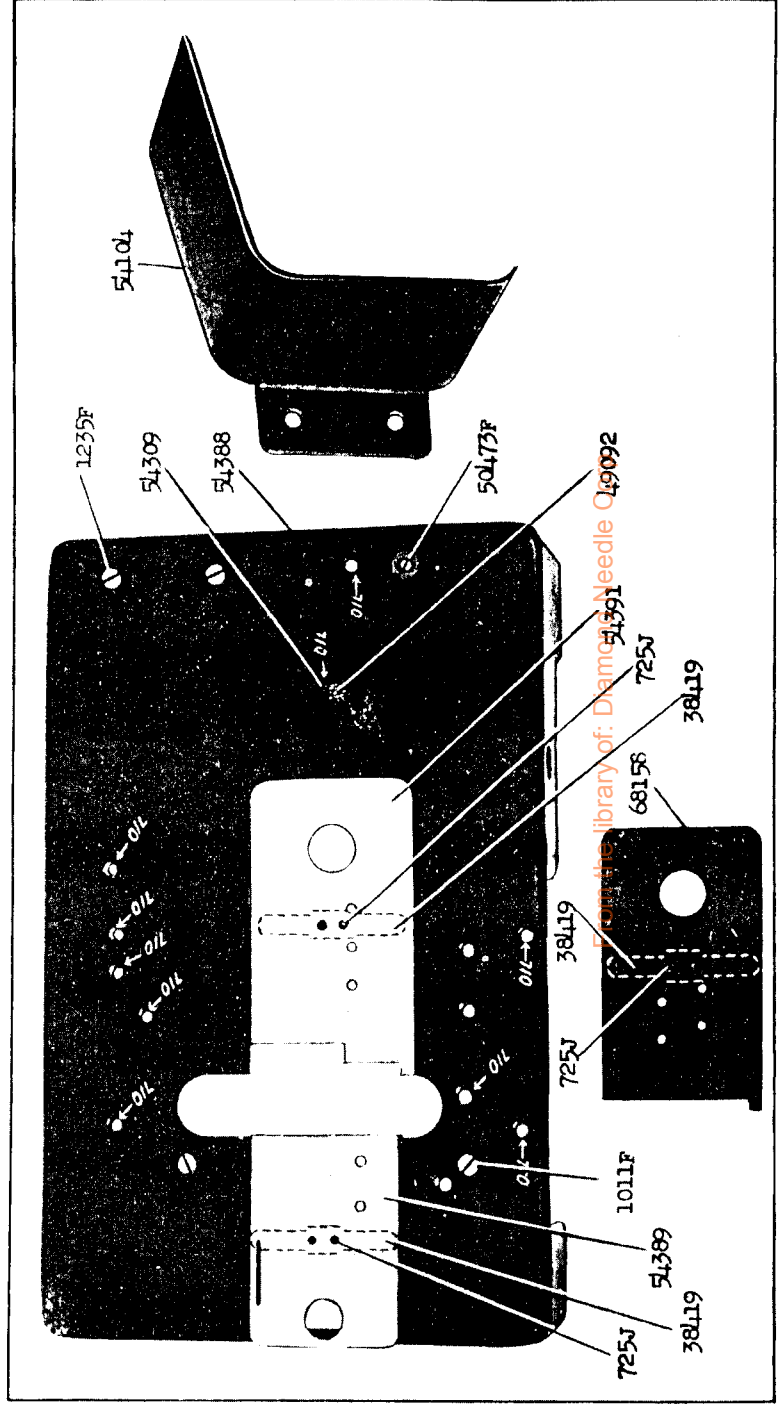
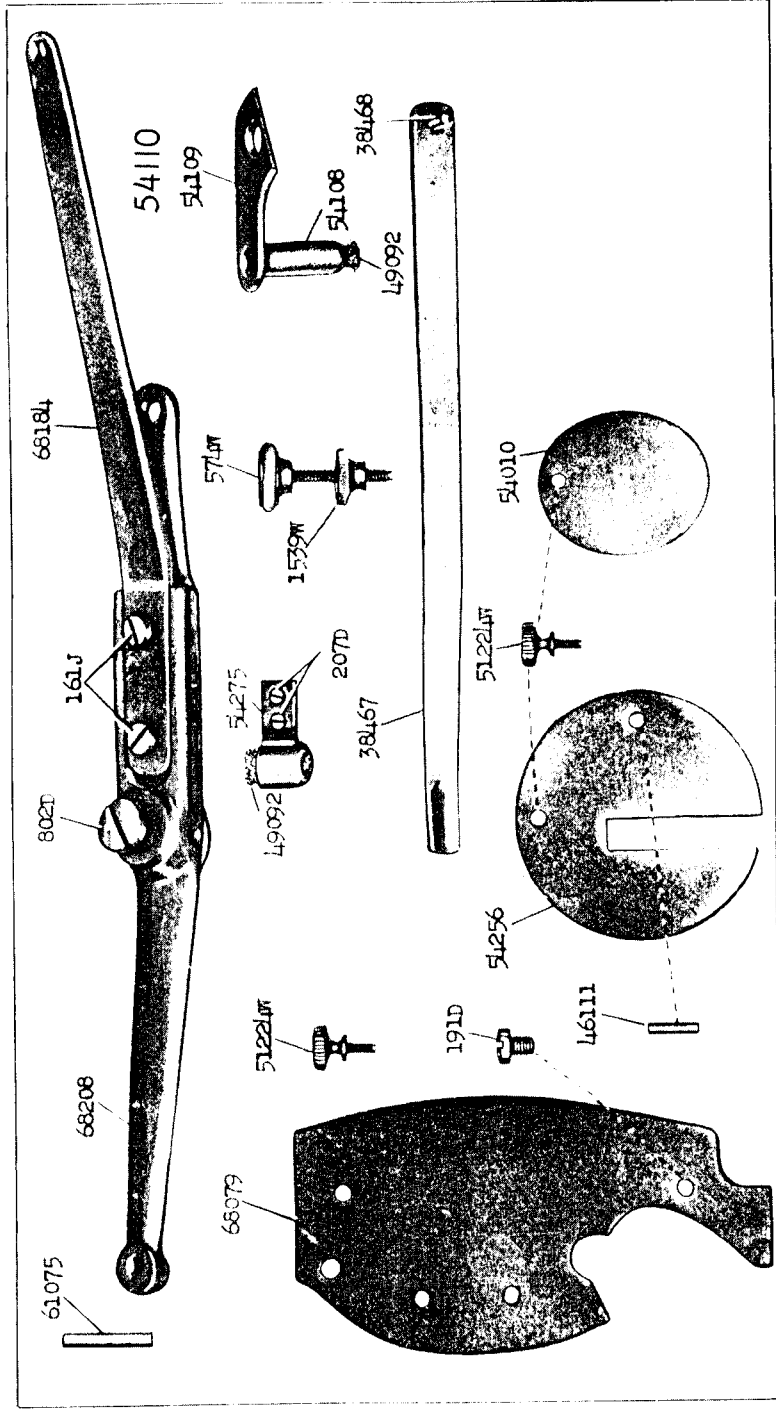
20670 - 1/2

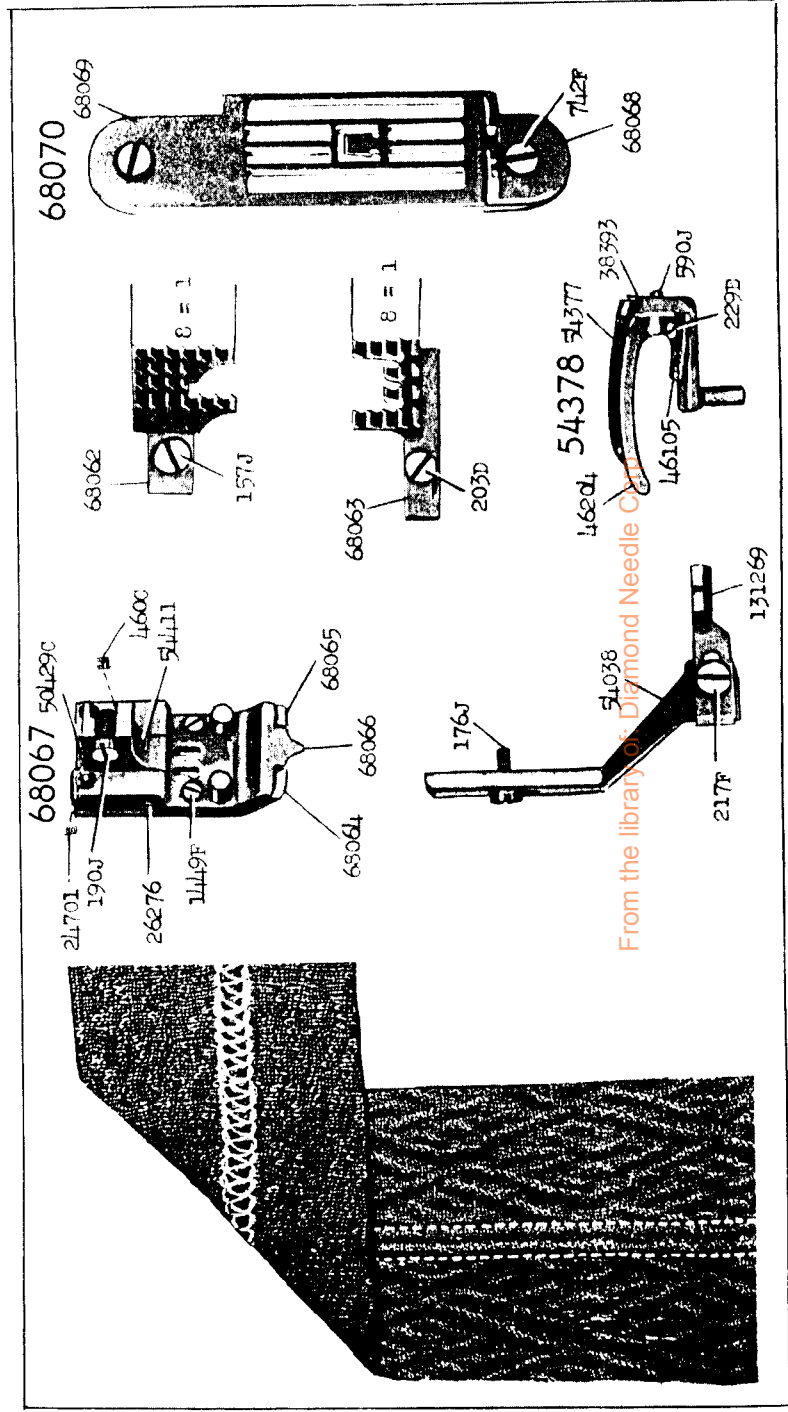
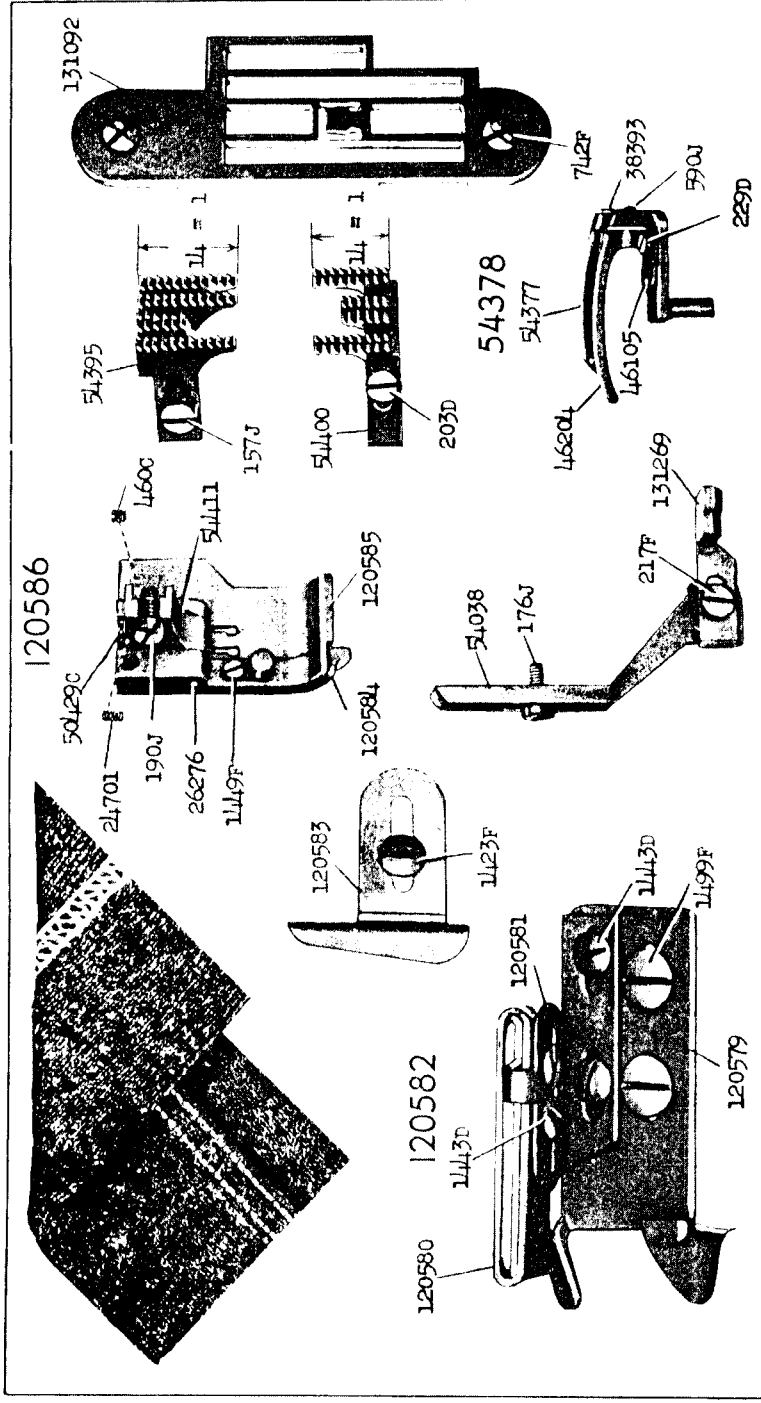


20671 - 1/2



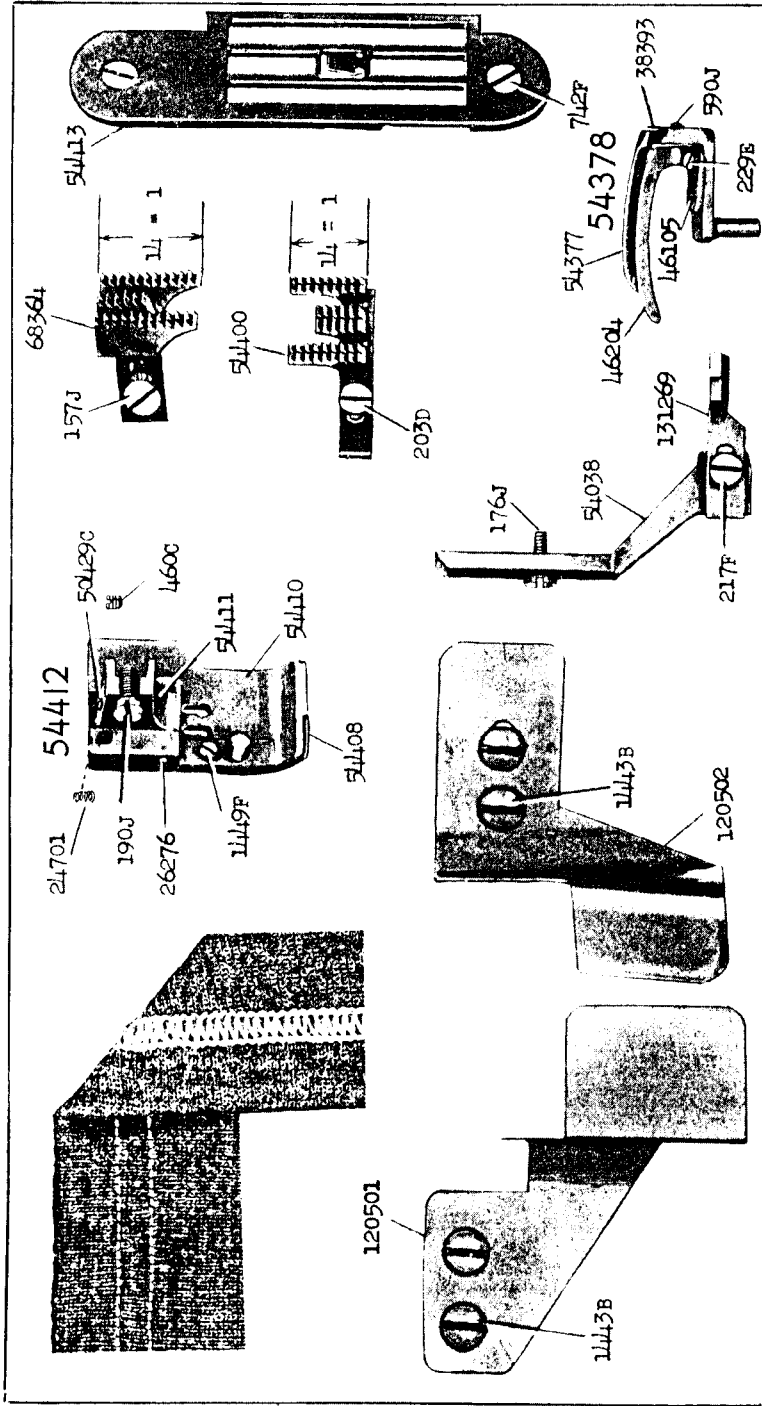
From the library of: Diamond Needs Corp



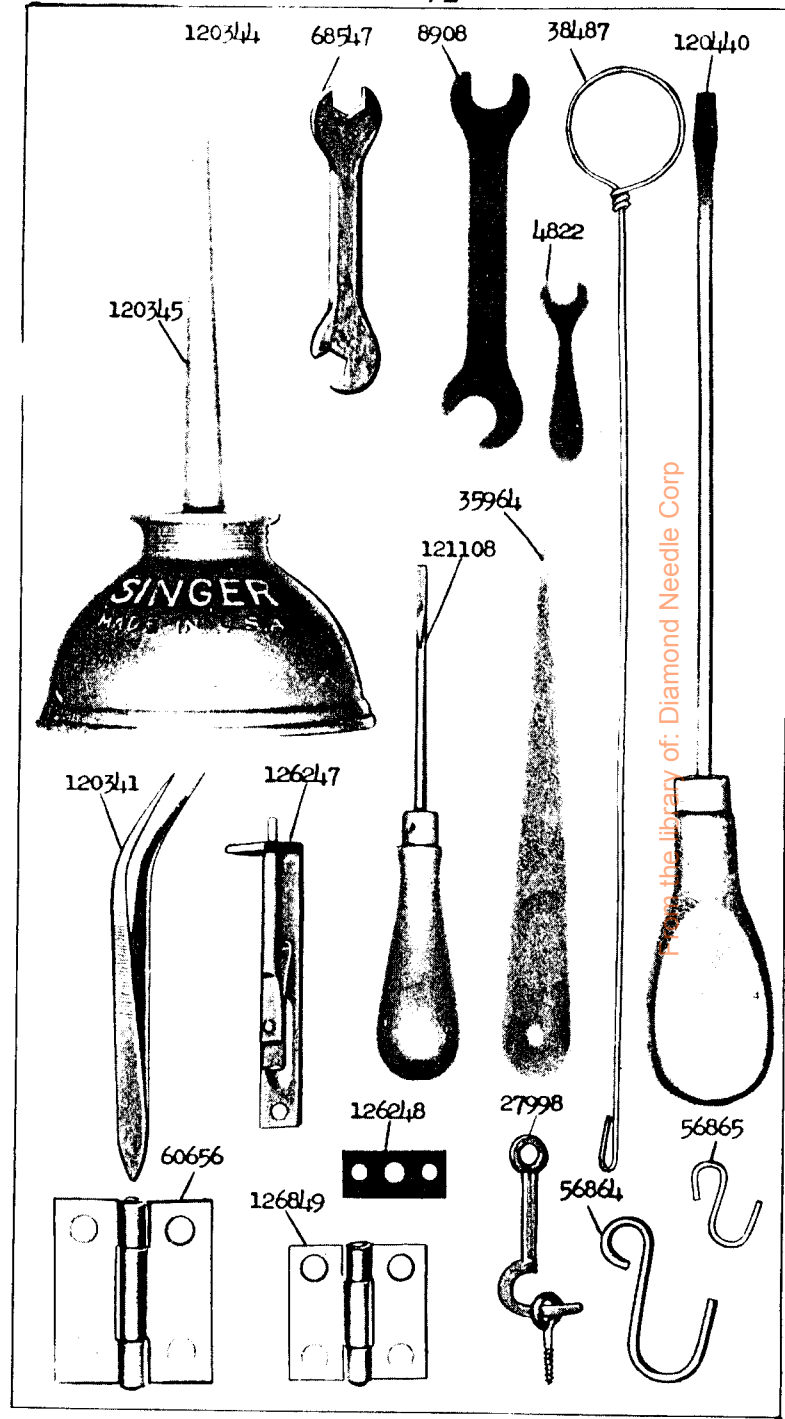


From the library of Diamond Needle Corp.

20676 - 2/3



20677 - 1/2



From the library of: Diamond Needle Corp

120591

